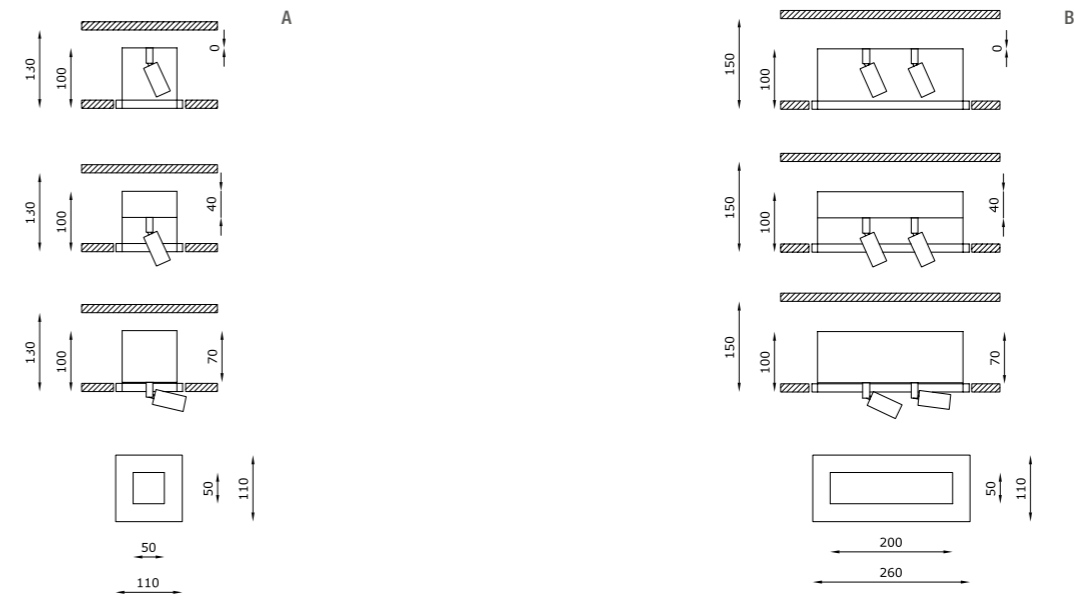


TAURUS



Taurus, apparecchio da interni per installazione a soffitto o parete di cartongesso, dotato di incasso in Coral® e faretto estraibile, evidenzia con precisione ed eleganza ogni dettaglio dello spazio progettuale. Taurus, grazie alla direzionalità e all'intercambiabilità delle lenti, risponde con precisione alle necessità di una luce precisa, decisa e concreta. Il proiettore può essere posizionato in diversi modi, dalla posizione completamente esterna a quella retrocessa. Quest'ultima posizione è studiata per avere il minimo impatto visivo. Quando il proiettore non è retrocesso è orientabile di 360° sull'asse orizzontale e 90° sull'asse verticale. Le dimensioni compatte e il design minimale lo rendono la soluzione ideale per illuminare gli ambienti con discrezione.

Taurus, an indoor totally disappearing luminaire installable on plasterboard ceilings or walls, with a recessed body made of Coral® and an extraible projector, underlines spaces and details with a precise and elegant beam of light. Thanks to the orientable and interchangeable lens, Taurus appropriately answers to the necessity of obtaining a sharp, precise and concrete light. The projector can be oriented in several ways, in a completely external position or in a recessed one. The latter, conceived to obtain a minimal visual impact. When the projector is not recessed it is 360° adjustable on the horizontal line and 90° on the vertical one. The solid forms and the minimal design makes this luminaire perfect for illuminating the environment in a discreet manner.

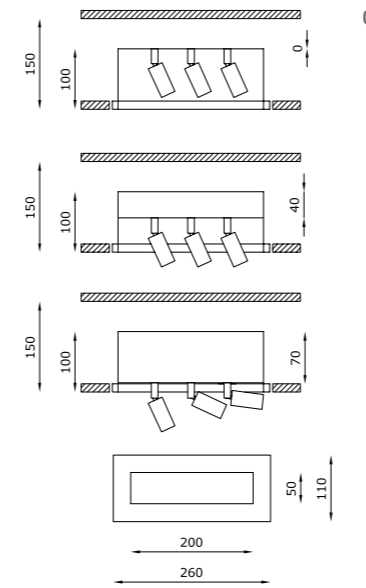


TECHNICAL FEATURES

| Code | 1831.00 (fig.A) | 1834.00 (fig.A) | 1832.00 (fig.B) | 1835.00 (fig.B) |
|--------------------------|--|--|---|---|
| Type | Tiltable downlight +/- 360° | Tiltable downlight +/- 360° | Tiltable downlight +/- 360° | Tiltable downlight +/- 360° |
| Material | 00: Coral® | 00: Coral® | 00: Coral® | 00: Coral® |
| Finishing | Black | White | Black | White |
| Weight | 1 Kg | 1 Kg | 2 Kg | 2 Kg |
| Mounting | Wall and ceiling recessed | Wall and ceiling recessed | Wall and ceiling recessed | Wall and ceiling recessed |
| IP rating | IP40 | IP40 | IP40 | IP40 |
| Insulation class | III | III | III | III |
| Control gear | Constant current electronic driver (not included) | Constant current electronic driver (not included) | Constant current electronic driver (not included) | Constant current electronic driver (not included) |
| Cut out for plasterboard | 120 x 120 mm | 120 x 120 mm | 270 x 120 mm | 270 x 120 mm |
| Lamp type | LED 500 mA | LED 500 mA | LED 500 mA | LED 500 mA |
| Lamp wattage | 1 x 6W | 1 x 6W | 2 x 6W | 2 x 6W |
| Luminous efficacy | 130 lm/W - 3000K | 130 lm/W - 3000K | 130 lm/W - 3000K | 130 lm/W - 3000K |
| Light distribution | Beam 22° Beam 50° (on request) | Beam 22° Beam 50° (on request) | Beam 22° Beam 50° (on request) | Beam 22° Beam 50° (on request) |
| Fitting | - | - | - | - |
| Light colour | White 3000K White 2700K I 4000K (on request) | White 3000K White 2700K I 4000K (on request) | White 3000K White 2700K I 4000K (on request) | White 3000K White 2700K I 4000K (on request) |
| Light hole | 50 x 50 mm | 50 x 50 mm | 50 x 200 mm | 50 x 200 mm |
| Voltage connection | 220-240V · 50/60Hz | 220-240V · 50/60Hz | 220-240V · 50/60Hz | 220-240V · 50/60Hz |
| CRI | >80 >90 (on request) | >80 >90 (on request) | >80 >90 (on request) | >80 >90 (on request) |
| Emergency | - | - | - | - |
| Energy efficiency class | A++ | A++ | A++ | A++ |
| Note | On request available dimmable PUSH or DALI, remote installation. | On request available dimmable PUSH or DALI, remote installation. | On request available dimmable PUSH or DALI. | On request available dimmable PUSH or DALI. |

OPTIONAL ACCESSORIES

| product code | optional code | description | info |
|-------------------|---------------|---|--|
| 1831.00 / 1834.00 | H8500.A | Constant current electronic driver. Remote installation | Suitable for n°3 code 1831.00 / 1834.00 - 500 mA |
| | H8500.C | Constant current electronic driver | Suitable for n°1 code 1831.00 / 1834.00 - 500 mA |
| | SAFE13 | Protection from overvoltage | In case of overvoltage on secondary circuit, it works as a safeguard for the LED electronic components |
| 1832.00 / 1835.00 | H8500.A | Constant current electronic driver | Suitable for n°1 code 1832.00 / 1835.00 - 500 mA |



TECHNICAL FEATURES

| Code | 1833.00 (fig.C) | 1836.00 (fig.C) |
|--------------------------|---|---|
| Type | Tilttable downlight +/- 360° | Tilttable downlight +/- 360° |
| Material | 00: Coral® | 00: Coral® |
| Finishing | Black | White |
| Weight | 2.1 Kg | 2.1 Kg |
| Mounting | Wall and ceiling recessed | Wall and ceiling recessed |
| IP rating | IP40 | IP40 |
| Insulation class | III | III |
| Control gear | Constant current electronic driver (not included) | Constant current electronic driver (not included) |
| Cut out for plasterboard | 270 x 120 mm | 270 x 120 mm |
| Lamp type | LED 500 mA | LED 500 mA |
| Lamp wattage | 3 x 6W | 3 x 6W |
| Luminous efficacy | 130 lm/W - 3000K | 130 lm/W - 3000K |
| Light distribution | Beam 22° Beam 50° (on request) | Beam 22° Beam 50° (on request) |
| Fitting | - | - |
| Light colour | White 3000K White 2700K 4000K (on request) | White 3000K White 2700K 4000K (on request) |
| Light hole | 50 x 200 mm | 50 x 200 mm |
| Voltage connection | 220-240V · 50/60Hz | 220-240V · 50/60Hz |
| CRI | >80 >90 (on request) | >80 >90 (on request) |
| Emergency | - | - |
| Energy efficiency class | A++ | A++ |
| Note | On request available dimmable PUSH or DALI. | On request available dimmable PUSH or DALI. |

OPTIONAL ACCESSORIES

| product code | optional code | description | info |
|-------------------|---------------|------------------------------------|--|
| 1833.00 / 1836.00 | H8500.A | Constant current electronic driver | Suitable for n°1 code 1833.00 / 1836.00 - 500 mA |