

# TWIN GENIUS

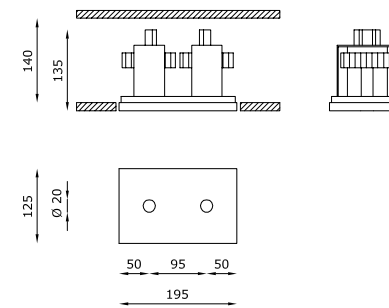


Il design di Genius si raddoppia: Twin Genius, apparecchio da interni a scomparsa totale in AirCoral® per installazione a soffitto di cartongesso o laterizio. I due fori di emissione di soli 20 mm scompaiono completamente quando il prodotto è spento; ritagliati all'interno del controsoffitto, in piena continuità con la superficie generano coni luminosi dal volume netto che rompono l'oscurità.

La parte elettrica è estraibile direttamente dal foro luce con un semplice gesto della mano, grazie alla meccanica push-pull, che facilita l'eventuale estrazione e la sostituzione della sorgente LED in caso di manutenzione.

*The design of Genius doubles: Twin Genius, a totally disappearing recessed luminaire in AirCoral®, installable on plasterboard or brick ceilings. The two emission holes of just 20 mm almost disappear when the product is turned off: cut out inside the ceilings, in perfect continuity with the surfaces, these products are able to generate bright cones of light with clean volumes, breaking the darkness.*

*With a simple hand gesture, the electric part can be extracted directly from the hole which allows the light to pour out. This is possible thanks to the push-pull mechanism, which makes the eventual extraction and replacement of the LED source easier in case of maintenance.*



## TECHNICAL FEATURES

Code	1852.AC	1857.AC
Type	Downlight 90°	Downlight 90°
Material	AC: AirCoral®	AC: AirCoral®
Absorption capacity*	2.78 m²	2.78 m²
Weight	2 Kg	2 Kg
Mounting	Ceiling recessed	Ceiling recessed
IP rating	IP20	IP20
Insulation class	III	III
Control gear	Remote constant current electronic driver (not included)	Remote constant current electronic driver and inverter
Cut out for plasterboard	205 x 135 mm	205 x 135 mm
Lamp type	LED 700 mA	LED 700 mA
Lamp wattage	2 x 8.5W	2 x 8.5W
Luminous efficacy	130 lm/W - 3000K	130 lm/W - 3000K
Light distribution	Wide beam 40°	Wide beam 40°
Fitting	-	-
Light colour	White 3000K White 2700K   4000K (on request)	White 3000K White 2700K   4000K (on request)
Light hole	Ø 20 mm	Ø 20 mm
Voltage connection	220-240V · 50/60Hz	220-240V · 50/60Hz
CRI	>80 >90 (on request)	>80 >90 (on request)
Emergency	-	1 hour
Energy efficiency class	A++	A++
Note	On request available dimmable PUSH or DALI, remote installation.	On request available dimmable PUSH or DALI, remote installation.

## OPTIONAL ACCESSORIES

product code	optional code	description	info
1852.AC	H8700.A	Constant current electronic driver. Remote installation	Suitable for n°1 code 1852.AC - 700 mA
	BR1852LT	Brick box	<b>Dimensions</b> L: 290 mm; W: 140 mm; D: 160 mm (instructions on page 524)
	SAFE26	Protection from overvoltage	In case of overvoltage on secondary circuit, it works as a safeguard for the LED electronic components
1857.AC	BR1857LT	Brick box	<b>Dimensions</b> L: 290 mm; W: 140 mm; D: 160 mm (instructions on page 524)
	SAFE26	Protection from overvoltage	In case of overvoltage on secondary circuit, it works as a safeguard for the LED electronic components



\* The absorption capacity per m² calculated by the American organization TCNA (Tile Council of North America) is measured for an average room of 2.7 m in height and therefore expressed in m²

