

Design  
ASZ Architetti

# ZEN

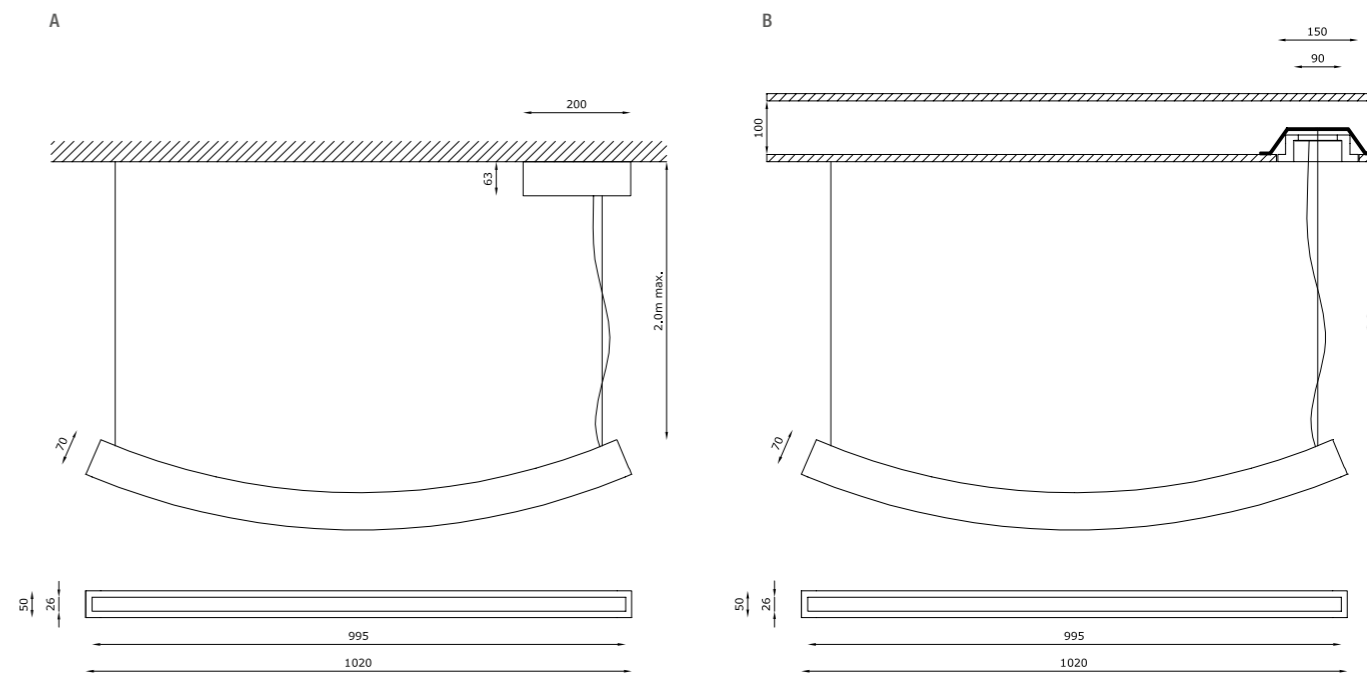


Zen è una lampada a sospensione da interni in AirCoral® fornita di LED 30W ad altissima efficienza, dalla tecnologia esclusiva e dalle forme particolari, in cui la materia si piega al servizio dell'architettura: dotato di uno schermo in policarbonato satinato in grado di creare una luce soffusa e omogenea. Zen è una linea di luce sottile di soli 26 mm, attraverso cui il prodotto diventa protagonista e impreziosisce gli ambienti. Disponibile con cassetta a soffitto verniciata bianca oppure con incasso a scomparsa totale per alloggiare il driver nel controsoffitto.

*Zen is a suspended indoor luminaire made of AirCoral® with high-efficiency 30W LED, with an exclusive technology and a particular shape, where substance bends at the service of architecture: equipped with a satin polycarbonate screen that creates a suffused and consistent light, Zen is fine line light of just 26 mm, through which the product is protagonist, enhancing the rooms. Available with a white-painted ceiling case or with a recessed housing, that allows to place the driver in the false ceiling.*



## Surface



## TECHNICAL FEATURES

Code	1451.AC (fig. A)	1452.AC (fig. B)
Type	Suspension lamp 	Suspension lamp 
Material	AC: AirCoral®	AC: AirCoral®
Absorption capacity*	13.54 m <sup>2</sup>	13.54 m <sup>2</sup>
Mounting	Ceiling mounting	Ceiling mounting
IP rating	IP40	IP40
Insulation class	III	III
Control gear	Constant voltage LED driver	Constant voltage LED driver
Cut out for plasterboard	-	Ø 160 mm
Lamp type	LED 24V 	LED 24V 
Lamp wattage	30W	30W
Luminous efficacy	3150 lm	3150 lm
Light distribution	Wide beam 120°	Wide beam 120°
Fitting	-	-
Light colour	White 3000K	White 3000K
Voltage connection	220-240V · 50/60Hz	220-240V · 50/60Hz
CRI	>80	>80
Emergency	-	-
Energy efficiency class	A++	A++
Note	Cable L max 2 m.  White box ceiling for LED driver.  Satin polycarbonate screen.	Cable L max 2 m.  Recessed box of total disappearance for LED driver.  Satin polycarbonate screen.

\* The absorption capacity per m<sup>2</sup> calculated by the American organization TCNA (Tile Council of North America) is measured for an average room of 2.7 m in height and therefore expressed in m<sup>2</sup>



Showroom - ASZ Architeti - Dubai

