

FUNNEL LAMP



LAMPADA A SOSPENSIONE, CON LUCE PUNTUALE, BASE A VISTA O A SCOMPARSA

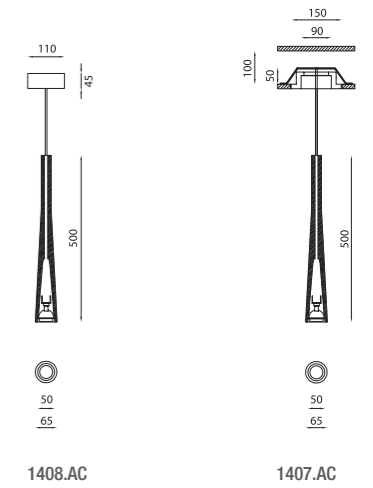
SUSPENSION LAMP WITH SPOTLIGHT, VISIBLE OR CONCEALED BASE



Funnel Lamp



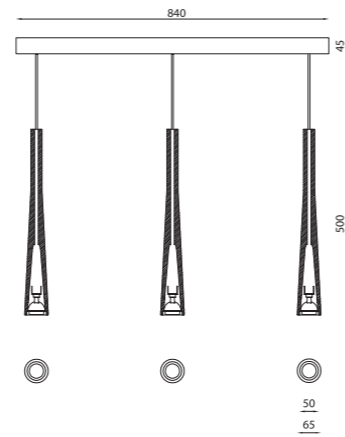
Indoor Suspended



TECHNICAL FEATURES

	1408.AC	1407.AC
Code	1408.AC	1407.AC
Type	Suspension lamp	Suspension lamp
Material	AC: AirCoral®	AC: AirCoral®
Absorption capacity*	3.87 m²	3.87 m²
Mounting	Ceiling mounting	Ceiling mounting
IP rating	IP20	IP20
Insulation class	III	III
Control gear	Dimmable electronic transformer (included)	Dimmable electronic transformer (included)
Cut out for plasterboard	-	Ø 160 mm
Lamp type	LED 12V ☞	LED 12V ☞
Lamp wattage	1 × 10W	1 × 10W
Luminous efficacy	1 × 485 lm	1 × 485 lm
Light distribution	Beam 24°	Beam 24°
Fitting	GU5.3	GU5.3
Light colour	White 3000K	White 3000K
Voltage connection	220-240V · 50/60Hz	220-240V · 50/60Hz
CRI	-	-
Emergency	-	-
Energy efficiency class	A	A
Note	White box ceiling for electronic transformer. Clear silicon cable (L max 2 m). Other available light colours: 2700K (on request).	Recessed box of total disappearance for electronic transformer. Clear silicon cable (L max 2 m). Other available light colours: 2700K (on request).

* The absorption capacity per m² calculated by the American organization TCNA (Tile Council of North America) is measured for an average room of 2.7 m in height and therefore expressed in m²

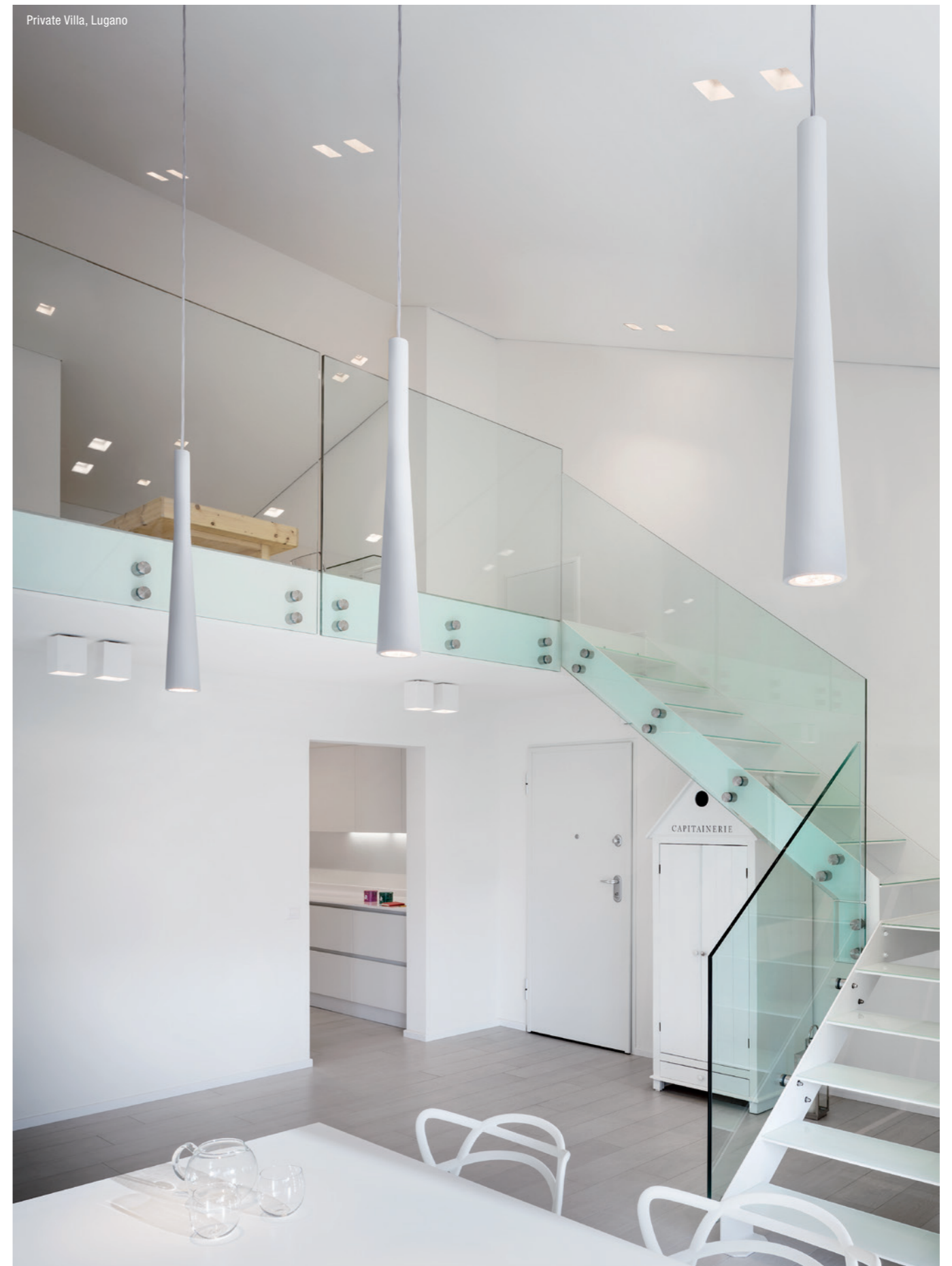


Funnel Lamp



TECHNICAL FEATURES

Code	1409.AC
Type	Suspension lamp
Material	AC: AirCoral®
Absorption capacity*	11.61 m²
Mounting	Ceiling mounting
IP rating	IP20
Insulation class	III
Control gear	Dimmable electronic transformer (included)
Cut out for plasterboard	-
Lamp type	LED 12V ☞
Lamp wattage	3 × 10W
Luminous efficacy	3 × 485 lm
Light distribution	Beam 24°
Fitting	GU5.3
Light colour	White 3000K
Voltage connection	220-240V · 50/60Hz
CRI	-
Emergency	-
Energy efficiency class	A
Note	White box ceiling for electronic transformer. Clear silicon cable (L max 2 m). Other available light colours: 2700K (on request).



* The absorption capacity per m² calculated by the American organization TCNA (Tile Council of North America) is measured for an average room of 2.7 m in height and therefore expressed in m²