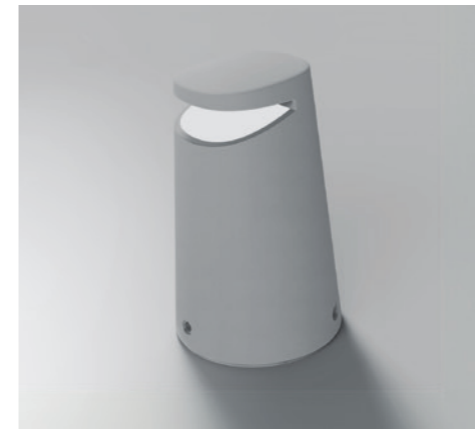


MOND IP65

PALETTO PER ESTERNI, PITTURABILE,
INERTE AL SALE E AL CLORO

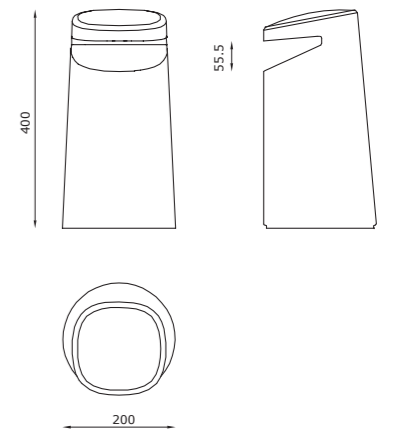
OUTDOOR BOLLARD, PAINTABLE,
SALT AND CHLORINE INERT



Mond IP65



Outdoor Surface



TECHNICAL FEATURES

Code	1728.DC
Type	Ground lamp
Material	DC: DurCoral®
Weight	12 Kg
Mounting	Ground lamp
IP rating	IP65
Insulation class	II
Control gear	-
Lamp type	LED
Lamp wattage	1 × 18W
Luminous efficacy	1 × 89 lm/W - 3000K
Light distribution	Wide beam 120°
Fitting	-
Light colour	White 3000K
Light hole	-
Voltage connection	220-240V · 50/60Hz
CRI	85
Emergency	-
Energy efficiency class	A++
Note	Supported glass in satin white 12 mm. Other available light colours: 2700K (on request).

474	ACCESSORIES
496	CONFORMITY & CERTIFICATIONS
482	HOW TO READ THE CATALOGUE
488	INDEX BY CODE
484	INDEX BY MATERIAL
486	INDEX BY NAME
491	MATERIAL SPECIFICATIONS
494	MOUNTING INSTRUCTION

ACCESSORIES

ON/OFF DRIVERS

code	description	current tension	wattage (max)	dimensions	compatible products	supported devices (max)	note
DRV0000103	Constant current electronic driver	300 mA	36W	237 × 30 × 21 mm	Slice	4	Remote installation
DRV0000173	Constant current electronic driver	200 mA	8W	146.5 × 43.5 × 22 mm	Orbit	1	Remote installation
H80671P	Constant current electronic driver	500 mA	10W	68 × 37 × 22 mm	Passé	1	Installation through the product IP67
H8300.A	Constant current electronic driver	300 mA	13W	146 × 43.5 × 22 mm	Slice	1	Remote installation
H8350	Constant current electronic driver	350 mA	8W	68 × 35 × 21.5 mm	Blade Blade IP65 Invisiled Invisiled IP44/IP65 Lentil Phantom Phantom IP44/IP65	4	Remote installation
H8350.C	Constant current electronic driver	350 mA	16W	115 × 34 × 19 mm	Genius Kelvin	2	Remote installation
H8500.B	Constant current electronic driver	500 mA	12W	115 × 34 × 19 mm	Blade Blade IP65 Invisiled Invisiled IP44/IP65 Lentil Phantom Phantom IP44/IP65	5	Remote installation
					Bard Basic Round Basic Square Bell Bild Buzzz Ecla Eggy Focus Idroround Idrout Jacobox Lys Monolight Nefi Rim Ring Sidus Sky	1	Installation through the product
					Dot (cod. 1915.AC)	1	Remote installation
H8500.C	Constant current electronic driver	500 mA	6W	68 × 35 × 21.5 mm	Blade Blade IP65 Invisiled Invisiled IP44/IP65 Lentil Phantom Phantom IP44/IP65	2	Remote installation
					Dot (cod. 1911.AC)	3	Remote installation
					Dot (cod. 1913.AC)	1	Remote installation

ON/OFF DRIVERS

code	description	current tension	wattage (max)	dimensions	compatible products	supported devices (max)	note
H8500.E	Constant current electronic driver	500 mA	22W	146.5 × 43.5 × 22 mm	Bard Basic Round Basic Square Bell Bild Buzzz Ecla Focus Idroround Idrout Jacobox Lys Monolight Nefi Rim Ring Sidus Sky	2	Installation through the product
					Eggy	2	Remote installation
					Genius Concrete Genius Concrete IP65 Inzeta Rhino Taurus	3	Remote installation
					Blight Bitrix Taurus 2 Taurus 3	1	Installation through the product
					Tetris	1	Attention: 2 drivers required Installation through the product
H8500.F	Constant current electronic driver	500 mA	8.4W	114 × 22 × 19 mm	Blade Blade IP65 Invisiled Invisiled IP44/IP65 Lentil Phantom Phantom IP44/IP65	3	Installation through the product
H8700.E	Constant current electronic driver	700 mA	30W	146.5 × 43.5 × 22 mm	Genius Genius IP65 Genius Black Genius Brass Genius Curve Genius Honeycomb Genius Naked Genius Naked IP65 Geniusquare Geniusquare Brass Pixel Pixel C	3	Remote installation
					Genius Basic Genius Basic Flat Genius Basic IP65 Genius Basic Naked Genius Basic Naked IP65 Genius Basic Slope Genius Basic Slope Naked	5	Remote installation
					Twin Genius Twin Genius Naked Twin Geniusquare	1	Remote installation
					Twin Genius Basic	2	Remote installation
H8730	Constant current electronic driver	700 mA	30W	146.5 × 43.5 × 22 mm	Bull	1	Attention: 2 drivers required for Bull cod. 1812.00 3 drivers required for Bull cod. 1813.00 Installation through the product

DIMMABLE PHASE CUT DRIVERS

code	description	current tension	wattage (max)	dimensions	compatible products	supported devices (max)	note
H8060.LED	Dimmable electronic transformer (for LED bulb GX 5.3 and QR111) Trailing-edge and leading-edge dimming	12V (AC)	70W	117 × 32 × 20 mm	0008KIT	5	Installation through the product
					00010KIT	4	Installation through the product
H8060	Dimmable electronic transformer (for alogen bulb) Trailing-edge and leading-edge dimming	12V (AC)	60W	100 × 32 × 20 mm	Basic Round Basic Square	5	Remote installation
					Bild Bilight Bitrix Buzzer Ecla Idroround Idrout Jacobox Lys Monolight Nefi Rim Tetris	5	Installation through the product
DRV0000087	Constant current electronic driver Trailing-edge and leading-edge dimming	700 mA	32W	166 × 46 × 34 mm	Blade Blade IP65 Genius Basic Genius Basic Flat Genius Basic IP65 Genius Basic Naked Genius Basic Naked IP65 Genius Basic Slope Genius Basic Slope Naked Invisiled Invisiled IP44/IP65 Lentil Phantom Phantom IP44/IP65	4	Remote installation
					Pixel Pixel C	3	Remote installation
					Genius Genius IP65 Genius Black Genius Brass Genius Curve Genius Honeycomb Genius Naked Genius Naked IP65 Geniusquare Geniusquare Brass Pixel Pixel C	1	Remote installation
DRV0000129	Constant current electronic driver Trailing-edge and leading-edge dimming	700 mA	10W	102 × 38 × 21 mm	Bard Basic Round Basic Square Bell Bild Buzzer Ecla Eggy Focus Idroround Idrout Jacobox Lys Monolight Nefi Rim Ring Sidus Sky	1	Remote installation
DRV0000163	Constant current electronic driver Trailing-edge and leading-edge dimming	500 mA	8W	110 × 52 × 22 mm	Bilight Bitrix	1	Attention: 2 drivers required Remote installation
					Tetris	1	Attention: 3 drivers required Remote installation
					Rhino Taurus	2	Remote installation
					Genius Basic Genius Basic Flat Genius Basic IP65 Genius Basic Naked Genius Basic Naked IP65 Genius Basic Slope Genius Basic Slope Naked	5	Remote installation

DALI DIMMABLE DRIVERS

code	description	current tension	wattage (max)	dimensions	compatible products	supported devices (max)	note
DRV0000028	Constant current LED driver DALI dimming	350 mA	17W	103 × 67 × 21 mm	Genius Kelvin	2	Remote installation
DRV0000029	Constant current LED driver DALI dimming	500 mA	24W	103 × 67 × 21 mm	Bard Basic Round Basic Square Bell Bild Buzzer Ecla Eggy Focus Idroround Idrout Jacobox Lys Monolight Nefi Rim Ring Sidus Sky	2	Remote installation
					Genius Concrete* Genius Concrete IP65*	3	Remote installation * Attention: the driver is not watertight
					Blade Blade IP65 Invisiled Invisiled IP44/IP65 Lentil Phantom Phantom IP44/IP65	12	Min. 2 devices for each driver. Remote installation
					Bilight Bitrix Taurus 2 Taurus 3	1	Installation through the product
					Tetris	1	Attention: 2 drivers required. Remote installation
DRV0000030	Constant current LED driver DALI dimming	700 mA	32W	103 × 67 × 21 mm	Genius Genius IP65 Genius Black Genius Brass Genius Curve Genius Honeycomb Genius Naked Genius Naked IP65 Geniusquare Geniusquare Brass Pixel Pixel C	3	Remote installation
DRV0000075	Constant current LED driver DALI dimming	300 mA	14W	103 × 67 × 21 mm	Slice Slice C	1	Remote installation
DRV0000092	MINI JOLLY constant current LED driver DALI dimming	500 mA	20W	111 × 52 × 22 mm	Blade Blade IP65 Invisiled Invisiled IP44/IP65 Lentil Phantom Phantom IP44/IP65	10	Min. 2 devices for each driver. Remote installation
DRV0000092	MINI JOLLY constant current LED driver DALI dimming	500 mA	20W	111 × 52 × 22 mm	Twin Genius Twin Genius Naked Twin Geniusquare	1	Remote installation
					Genius Basic Genius Basic Flat Genius Basic IP65 Genius Basic Naked Genius Basic Naked IP65 Genius Basic Slope Genius Basic Slope Naked	5	Remote installation

DALI DIMMABLE DRIVERS

code	description	current tension	wattage (max)	dimensions	compatible products	supported devices (max)	note
H8350DA.AM	Constant current LED driver Amplitude (AM) DALI dimming	350 mA	17W	103 × 67 × 21 mm	Basic Round Dim To Warm Basic Square Dim To Warm Bilight Dim To Warm Ecla Dim To Warm Genius Dim To Warm Idroround IP65 Dim To Warm Idrout IP65 Dim To Warm Jacobox Dim To Warm Monolight Dim To Warm Nefi Dim To Warm Ring Dim To Warm	2	Remote installation
H8700DA	Constant current LED driver DALI dimming	700 mA	32W	103 × 67 × 21 mm	Genius Dynamic White	2	Remote installation

1-10V/PUSH DIMMABLE DRIVERS

code	description	current tension	wattage (max)	dimensions	compatible products	supported devices (max)	note
DRV0000025	Constant current LED driver 1-10V/PUSH dimming	350 mA	18W	103 × 67 × 21 mm	Genius Kelvin	2	Remote installation
DRV0000026	Constant current LED driver 1-10V/PUSH dimming	500 mA	25W	103 × 67 × 21 mm	Blade Blade IP65 Dot (cod. 1911.AC) Invisiled Invisiled IP44/IP65 Lentil Phantom Phantom IP44/IP65 Dot (cod. 1913.AC) Genius Concrete Genius Concrete IP65 Inzeta Passé Rhino Taurus Bard Basic Round Basic Square Bell Bild Buzzz Ecla Eggy Focus Idroround Idrout Jacobox Lys Monolight Nefi Rim Ring Sidus Sky Bilight Bitrix Taurus 2 Taurus 3 Tetris	15 5 3	Remote installation Remote installation Remote installation
						2	Remote installation
						1	Installation through the product
						1	Attention: 2 drivers required. Remote installation

1-10V/PUSH DIMMABLE DRIVERS

code	description	current tension	wattage (max)	dimensions	compatible products	supported devices (max)	note
DRV0000027	Constant current LED driver 1-10V/PUSH dimming	700 mA	32W	103 × 67 × 21 mm	Genius Basic Genius Basic Flat Genius Basic IP65 Genius Basic Naked Genius Basic Naked IP65 Genius Basic Slope Genius Basic Slope Naked Genius Genius IP65 Genius Black Genius Brass Genius Curve Genius Honeycomb Genius Naked Genius Naked IP65 Geniusquare Geniusquare Brass Pixel Pixel C Twin Genius Twin Genius Naked Twin Geniusquare	5	Remote installation
						3	Remote installation
						1	Remote installation
DRV0000074	Constant current LED driver 1-10V/PUSH dimming	300 mA	16W	103 × 67 × 21 mm	Slice Slice C	2	Remote installation
H8350PH.AM	Constant current LED driver Amplitude (AM) PUSH dimming	350 mA	18W	103 × 67 × 21 mm	Basic Round Dim To Warm Basic Square Dim To Warm Bilight Dim To Warm Ecla Dim To Warm Genius Dim To Warm Idroround IP65 Dim To Warm Idrout IP65 Dim To Warm Jacobox Dim To Warm Monolight Dim To Warm Nefi Dim To Warm Ring Dim To Warm	2	Remote installation

SYNC CABLES

code	description	length	compatible products	supported devices (max)	note
BUZSync1	Sync cable for LED driver	1.5 m	-	-	Synchronization cable Max 10 synchronized drivers (1 master, 9 slaves)
BUZSync4	Sync cable for LED driver	4 m	-	-	Synchronization cable Max 10 synchronized drivers (1 master, 9 slaves)

PUSH/1-10V/DALI DIMMABLE DRIVERS

code	description	current tension	wattage (max)	dimensions	compatible products	supported devices (max)	note
DRV0000093	Constant current LED driver PUSH/1-10V/DALI dimming	500 mA	35W	124 × 67 × 22 mm	Bard Basic Round Basic Square Bell Bild Buzzz Ecla Eggy Focus Genius Concrete Genius Concrete IP65	3	Remote installation
					Idrround Idrout Jacobox Lys Monolight Nefi Rim Ring Sidus Sky		
DRV0000094	Constant current LED driver PUSH/1-10V/DALI dimming	700 mA	50W	124 × 67 × 22 mm	Inzeta Rhino Taurus	5	Remote installation
					Genius Basic Genius Basic Flat Genius Basic IP65 Genius Basic Naked Genius Basic Naked IP65 Genius Basic Slope Genius Basic Slope Naked		
DRV0000172	Constant current LED driver PUSH/1-10V/DALI dimming	200 mA	8W	146.5 × 43.5 × 22 mm	Genius Genius IP65 Genius Black Genius Brass Genius Curve Genius Honeycomb Genius Kelvin Genius Naked Genius Naked IP65 Geniusquare Geniusquare Brass Pixel Pixel C	5	Remote installation
					Twin Genius Twin Genius Naked Twin Geniusquare		
					Bull	1	Attention: 2 drivers required for Bull cod. 1812.00 3 drivers required for Bull cod. 1813.00 Remote installation

DRIVER - LED DISTANCE

driver	current tension	cable section	distance (max)	note
Constant current LED driver	350-500 mA	0.25 mm ²	10 m	-
		0.5 mm ²	20 m	-
		1 mm ²	50 m	-
	700 mA	0.5 mm ²	10 m	-
		1 mm ²	20 m	-
Dimmable LED driver	350-500 mA	0.25 mm ²	10 m	-
		0.5 mm ²	15 m	-
		1 mm ²	15 m	-
	700 mA	0.5 mm ²	10 m	-
		1 mm ²	15 m	-

HOW TO READ THE CATALOGUE

nome prodotto
product name

sezione
section

descrizione prodotto
product description

inspiration
inspiration

plus
plus

nome prodotto certificazioni
product name and certifications

disegno quotato in mm
drawing quoted in mm

sezione
section

prodotto correlato
related product

informazioni tecniche
technical features

inspiration
inspiration

OTHER AVAILABLE CODES	
1851.AC 4 24 E - 30D	24° light colour 27 2700K 30 3000K 40 4000K (on request)
1851.27.AC	40° light colour 2700K
1851.40.AC	40° light colour 4000K (on request)
1855.AC 4 R - E - 30D	light colour 27 2700K 30 3000K 40 4000K (on request)
24	24°
40	40°
example of code composition	1855.AC 4 R 24 E 30 D

TECHNICAL FEATURES	
Code	1851.AC
Type	Downlight 90°
Material	AC, AcQuar®
Absorption capacity*	1.20 m²
Weight	0.8 Kg
Mounting	Ceiling recessed
IP rating	IP55
Insulation class	II
Control gear	Remote constant current electronic driver (not included)
Cut out for plasterboard	135 x 135 mm
Lamp type	LED 700 mA LED 11.5 VDC LED 11.5 VDC
Lamp wattage	1 x 4.5W
Luminous efficacy	1 x 1000 lm - 3000K Wide beam 40°
Light distribution	Wide beam 40°
Fitting	White 3000K
Light hole	Ø 20 mm
Voltage connection	Ø 20 mm (Ø 20 mm optional)
CR	>R0
Emergency	1 hour
Energy efficiency class	A++
Note	Other available light colours: 2700K, 4000K (on request), Other available beams: 24°

OPTIONAL	
On/Off driver	cod. 48700.E
Trimming and leading edge driver	cod. 090000020
DALI dimmable LED driver	cod. 090000030
PSU dimmable LED driver	cod. 090000027
PSU (1-10V) dimmable LED driver	cod. 090000094
Brick box	cod. 091801.LT
Homework screen	cod. ACC0053

INDEX BY MATERIAL



ALKABOX	225
BARD	373
BASIC ROUND	155
BASIC ROUND DIM TO WARM	156
BASIC SQUARE	159
BASIC SQUARE DIM TO WARM	160
BILD	247
BULL	173
GENIUS BASIC	143
GENIUS BASIC FLAT	144
GENIUS BASIC SLOPE	146
LYS	255
MAXI BILD	248
MAXI RIM	252
NOTHING	281
PHANTOM	273
RHINO	167
RIM	251
SFERA BASE	345
TAURUS	169
TAURUS 2	170
TAURUS 3	171



ANGOLO	349
ARGIA	263
BAUTA ELLISSE	335
BAUTA SFERA	341
BELL	181
BILIGHT	209
BILIGHT DIM TO WARM	210
BITRIX	217
BLADE	267
BUZZZ	183
CLASS	199
CORNICE	359
CUPOLA	347
DOT	363
DRY	191
DRY MICRO	192
ECLA	241
ECLA DIM TO WARM	243
EGGY	187
ELIOS	245
ELLISSE 450	336
ELLISSE 810	337
ELLISSE 1120	338
ELLISSE BASE	339
END	289
FLAG	351
FOCUS	235
FRAME	353
FUNNEL LAMP	383
GAP	285
GENIUS	94
GENIUS BLACK	115
GENIUS BRASS	117
GENIUS CURVE	123
GENIUS DIM TO WARM	110
GENIUS DYNAMIC WHITE	107
GENIUS HONEYCOMB	113
GENIUS KELVIN	98
GENIUSQUARE	103
GENIUSQUARE BRASS	121
GHOST	275
GLOBE	279
INVISIBLE	195
INVISIBLED	205
INZETA	165
ITEM ONE	387
JACOBBOX	213
JACOBBOX DIM TO WARM	215
LEAF	295
LENTIL	265

LINEA 5	323
MASTER OPEN	317
MAXIMAL	329
MINIMAL	331
MINI SECRET	203
MODUS	327
MONOLIGHT	207
MONOLIGHT DIM TO WARM	208
NASTRO	301
NEFI	227
NEFI DIM TO WARM	229
NIMBUS	231
NOVA	257
ORBIT	90
PIPEDINO DIRECT	314
PIPEDINO INDIRECT	315
PIPEDINO OPEN	313
PIPEDO	311
PIPEDO DIRECT	310
PIPEDO OPEN	307
PIXEL	163
PIXEL C	361
POLARIS	261
PONTE GRANDE	355
PONTE PICCOLO	356
REVERSO	84
RING	221
RING DIM TO WARM	223
SFERA 300	342
SFERA 400	343
SFERA 520	344
SIDUS	371
SKY	365
SLICE C	369
SLICE ROUND	179
SLICE SQUARE	178
SPIRIT	277
STAR	367
SUPERNOVA	259
TEKNO	233
TETRIS	219
TWIN GENIUS	100
TWIN GENIUSQUARE	104
UNLEAF	293
VERSUS	333
YANG	319
YIN	321
ZEN	379
ZOOM	239



ALADIN IP65	441
BLADE IP65	433
GENIUS BASIC IP65	413
GENIUS CURVE IP65	403
GENIUS IP65	395
GENIUSQUARE IP65	399
IDROUND IP65	427
IDROUND IP65 DIM TO WARM	428
IDROUT IP65	423
IDROUT IP65 DIM TO WARM	424
INVISIBLED IP44/IP65	421
ORIS IP65	431
PHANTOM IP44/IP65	439
PIXEL IP65	419



MINIVIRTUS DIRECT IP65	452
MINIVIRTUS IP65	451
MOND IP65	469
NUSS IP65	449
PASSÉ IP65	443
THE BOLLARD	465
UNDERLINE	460
UNDERSCORE	463
VIRTUS DIRECT IP65	456
VIRTUS IP65	455



GENIUS BASIC NAKED	150
GENIUS BASIC NAKED IP65	416
GENIUS BASIC SLOPE NAKED	152
GENIUS CONCRETE	127
GENIUS CONCRETE IP65	407
GENIUS NAKED	132
GENIUS NAKED IP65	411
OR	71
TWIN GENIUS NAKED	138

INDEX BY NAME

A

ALADIN IP65 441
 ALKABOX 225
 ANGOLO 349
 ARGIA 263

B

BARD 373
 BASIC ROUND 155
 BASIC ROUND DIM TO WARM 156
 BASIC SQUARE 159
 BASIC SQUARE DIM TO WARM 160
 BAUTA ELLISSE 335
 BAUTA SFERA 341
 BELL 181
 BILD 247
 BILIGHT 209
 BILIGHT DIM TO WARM 210
 BITRIX 217
 BLADE 267
 BLADE IP65 433
 BULL 173
 BUZZZ 183

C

CLASS 199
 CORNICE 359
 CUPOLA 347

D

DOT 363
 DRY 191
 DRY MICRO 192

E

ECLA 241
 ECLA DIM TO WARM 243
 EGGY 187
 ELIOS 245
 ELLISSE 450 336
 ELLISSE 810 337
 ELLISSE 1120 338
 ELLISSE BASE 339
 END 289

F

FLAG 351
 FOCUS 235
 FRAME 353
 FUNNEL LAMP 383

G

GAP 285
 GENIUS 94
 GENIUS BASIC 143
 GENIUS BASIC FLAT 144
 GENIUS BASIC IP65 413
 GENIUS BASIC NAKED 150
 GENIUS BASIC NAKED IP65 416
 GENIUS BASIC SLOPE 146
 GENIUS BASIC SLOPE NAKED 152
 GENIUS BLACK 115
 GENIUS BRASS 117
 GENIUS CONCRETE 127
 GENIUS CONCRETE IP65 407
 GENIUS CURVE 123
 GENIUS CURVE IP65 403
 GENIUS DIM TO WARM 110
 GENIUS DYNAMIC WHITE 107
 GENIUS HONEYCOMB 113
 GENIUS IP65 395
 GENIUS KELVIN 98
 GENIUS NAKED 132
 GENIUS NAKED IP65 411
 GENIUSQUARE 103

GENIUSQUARE BRASS 121
 GENIUSQUARE IP65 399
 GHOST 275
 GLOBE 279

I

IDROROUND IP65 427
 IDROROUND IP65 DIM TO WARM 428
 IDROUT IP65 423
 IDROUT IP65 DIM TO WARM 424
 INVISIBLE 195
 INVISILED 205
 INVISILED IP44/IP65 421
 INZETA 165
 ITEM ONE 387

J

JACOBBOX 213
 JACOBBOX DIM TO WARM 215

L

LEAF 295
 LENTIL 265
 LINEA 5 323
 LYS 255

M

MASTER OPEN 317
 MAXI BILD 248
 MAXIMAL 329
 MAXI RIM 252
 MINIMAL 331
 MINI SECRET 203
 MINIVIRTUS DIRECT IP65 452
 MINIVIRTUS IP65 451

MODUS 327
 MOND IP65 469
 MONOLIGHT 207
 MONOLIGHT DIM TO WARM 208

N

NASTRO 301
 NEFI 227
 NEFI DIM TO WARM 229
 NIMBUS 231
 NOTHING 281
 NOVA 257
 NUSS IP65 449

O

OR 71
 ORBIT 90
 ORIS IP65 431

P

PASSÉ IP65 443
 PHANTOM 273
 PHANTOM IP44/IP65 439
 PIPEDINO DIRECT 314
 PIPEDINO INDIRECT 315
 PIPEDINO OPEN 313
 PIPEDO 311
 PIPEDO DIRECT 310
 PIPEDO OPEN 307
 PIXEL 163
 PIXEL C 361
 PIXEL IP65 419
 POLARIS 261
 PONTE GRANDE 355
 PONTE PICCOLO 356

R

REVERSO 84
 RHINO 167
 RIM 251
 RING 221
 RING DIM TO WARM 223

S

SFERA 300 342
 SFERA 400 343
 SFERA 520 344
 SFERA BASE 345
 SIDUS 371
 SKY 365
 SLICE C 369
 SLICE ROUND 179
 SLICE SQUARE 178
 SPIRIT 277
 STAR 367
 SUPERNOVA 259

T

TAURUS 169
 TAURUS 2 170
 TAURUS 3 171
 TEKNO 233
 TETRIS 219
 THE BOLLARD 465
 TWIN GENIUS 100
 TWIN GENIUS NAKED 138
 TWIN GENIUSQUARE 104

U

UNDERLINE 460
 UNDERScore 463
 UNLEAF 293
 VERSUS 333

V

VIRTUS DIRECT IP65 456
 VIRTUS IP65 455

Y

YANG 319
 YIN 321

Z

ZEN 379
 ZOOM 239

INDEX BY CODE

1

184X.AC XX **165**
 184X.AC XX emergency **165**
 1004.00 XX **373**
 1005.00 6 R 00 E 00 WD **373**
 1006.00 6 R 00 E 00 WD **373**
 1007 XX **163**
 1008.AC XX **361**
 1009 XX **71**
 1017.AC XX **90**
 1018 XX **419**
 1019.AC XX emergency **90**
 1051.AC **351**
 1052.AC **351**
 1058.AC **351**
 1061 XX **132**
 1062 XX emergency **132**
 1065 XX **138**
 1066 XX emergency **138**
 1071 XX **150**
 1072 XX emergency **150**
 1073 XX **127**
 1074 XX emergency **127**
 1078 XX **407**
 1079 XX emergency **407**
 1080 XX **152**
 1407.AC **383**
 1408.AC **383**
 1409.AC **384**
 1451.AC **379**
 1452.AC **380**
 1508.DC **443**
 1728.DC **469**
 1731.DC **465**
 1741.DC **460**
 1751.DC **463**
 1811 **173**
 1812 **173**
 1813 **174**
 1831 **169**
 1832 **170**
 1833 **171**
 1834 **169**
 1835 **170**
 1836 **171**
 1838.AC XX **113**
 1839.AC XX emergency **113**
 1841 **167**
 1842.CW **441**

1843 **167**
 1851.AC **94**
 1852.AC **100**
 1853.AC **103**
 1854.AC **104**
 1855.AC XX emergency **94**
 1856.AC XX emergency **103**
 1857.AC XX emergency **100**
 1858.AC XX emergency **104**
 1859.AC XX **84**
 1860.CW XX emergency **399**
 1861.AC **117**
 1862.AC XX emergency **117**
 1864.CW XX **399**
 1865.00 XX **146**
 1866.00 XX emergency **146**
 1869.CW XX **403**
 1870.CW XX emergency **403**
 1871.AC **115**
 1872.AC XX emergency **115**
 1874.AC **98**
 1875.AC 7 R 40 E 98 WD **110**
 1881.AC **107**
 1885.00 XX **143**
 1886.00 XX emergency **143**
 1887.00 XX **144**
 1888.00 XX emergency **144**
 1891.AC **123**
 1892.AC XX emergency **123**
 1895.AC XX **121**
 1896.AC XX emergency **121**
 1901.AC **181**
 1902.AC XX emergency **181**
 1911.AC **363**
 1913.AC **363**
 1915.AC **363**
 1921.AC XX **178**
 1922.AC XX **369**
 1923.AC XX **179**
 1951.CW **395**
 1952.CW XX emergency **395**
 1985.CW XX **413**
 1986.CW XX emergency **413**

2

2071 XX **416**
 2072 XX emergency **416**

2075 XX **411**
 2076 XX emergency **411**
 2191.AC **333**
 2192.AC **333**
 2713.AC **329**
 2718.AC **329**
 2802.AC **353**
 2808.AC **353**
 2816.AC **321**
 2826.AC **319**
 2901.AC **311**
 2902.AC **311**
 2908.AC **311**
 2911.AC **307**
 2912.AC **307**
 2916.AC **307**
 2921.AC **313**
 2922.AC **313**
 2926.AC **313**
 2928.AC **314**
 2932.AC **331**
 2936.AC **315**
 2938.AC **331**
 2946.AC **327**
 2953.AC **317**
 2968.AC **310**
 2979.AC **301**
 2988.AC **295**
 2998.AC **293**

3

3022.AC **371**
 3028.Z.AC **371**
 3032.AC **367**
 3042.AC **365**
 3046.DC **451**
 3048.Z.AC **365**
 3058.58.DC **455**
 3061.DC **449**
 3062.DC **449**
 3068.68.DC **456**
 3078.DC **452**
 3112 **159**
 3113.Z.00 **159**
 3115.00 4 R 40 E 98 WD **160**
 3121 **155**
 3122 **155**

4

3123.Z.00 **155**
 3125.00 4 R 40 E 98 WD **156**
 4411.00 **248**
 4421.00 **255**
 4422.00 **247**
 4423.Z.00 **247**
 4424.00 **247**
 4425.00 **255**
 4426.Z.00 **255**
 4432.00 **251**
 4433.Z.00 **251**
 4434.00 **251**
 4441.00 **252**

5

5133.AC **259**
 5135.AC **259**
 5291.AC **257**
 5293.AC **257**
 5381.CW **431**
 5388.CW **431**
 5481.CW **423**
 5483.Z.CW **423**
 5485.CW 4 R 40 E 98 WD **424**
 5489.CW XX emergency **423**
 5591.CW **427**
 5593.Z.CW **427**
 5595.CW 4 R 40 E 98 WD **428**
 5599.CW XX emergency **427**

6

6051.AC **233**
 6052.AC **233**
 6111.AC **191**
 6112.AC **191**
 6113.Z.AC **191**
 6121.AC **192**

6122.AC **192**
 6131.AC **196**
 6132.AC **196**
 6133.Z.AC **195**
 6139.AC XX emergency **195**
 6141.AC **203**
 6142.AC **203**
 6143.Z.AC **203**
 6149.AC XX emergency **203**
 6155.AC **183**
 6157.Z.AC **183**
 6158.AC XX emergency **183**
 6161.AC **236**
 6162.AC **236**
 6163.Z.AC **235**
 6169.AC XX emergency **235**
 6181.AC **239**
 6183.AC **239**
 6191.AC **200**
 6192.AC **200**
 6193.Z.AC **199**
 6199.AC XX emergency **199**
 6211.00 **225**
 6212.AC **387**
 6215.AC 4 R 40 E 98 WD **243**
 6216.AC 4 R 40 E 98 WD **229**
 6218.Z.AC **227**
 6219.AC XX emergency **227**
 6221.00 **225**
 6231.00 **225**
 6238.Z.AC **221**
 6239.AC XX emergency **221**
 6241.AC **214**
 6242.AC **219**
 6243.AC **222**
 6244.AC **214**
 6246.Z.AC **219**
 6248.Z.AC **213**
 6249.AC XX emergency **213**
 6252.AC **277**
 6253.AC **222**
 6256.AC XX emergency **277**
 6259.AC **277**
 6261.AC **228**
 6262.AC **228**
 6263.AC **242**
 6265.AC **242**
 6268.Z.AC **241**
 6281.AC **231**
 6283.AC **231**
 6289.AC **279**

6292.AC **279**
 6312.AC 4 R 40 E 98 WD **223**
 6313.AC **209**
 6315.AC 4 R 40 E 98 WD **210**
 6316.AC 7 R 40 E 98 WD **215**
 6318.Z.AC **209**
 6323.AC **207**
 6325.AC 4 R 40 E 98 WD **208**
 6328.Z.AC **207**
 6333.AC **275**
 6342.AC **217**
 6343.Z.AC **217**
 6347.CW **421**
 6348.AC **205**
 6349.CW **421**
 6358.AC **265**
 6381.AC **245**
 6383.AC **245**
 6487.CW **439**
 6488.00 **273**
 6489.CW **439**
 6498.AC **187**
 6921.AC **263**
 6931.AC **263**
 6961.AC **269**
 6962.AC **269**
 6963.CW **435**
 6964.CW **435**
 6967.AC **268**
 6968.AC **267**
 6978.AC **261**
 6987.CW **433**
 6988.CW **434**

7

7001.AC **344**
 7003.AC **344**
 7011.AC **343**
 7013.AC **343**
 7018.AC **343**
 7021.AC **342**
 7023.23.AC **342**
 7028.AC **342**
 7042.00 **345**
 7081.AC **341**
 7083.83.AC **341**
 7088.AC **341**

MATERIAL SPECIFICATIONS

7148.AC	344	9020.AC	323
7403.3.AC	338	9026.AC	323
7411.AC	337	9100.AC	323
7413.AC	337		
7421.AC	336		
7423.23.AC	336		
7428.AC	336		
7438.AC	338		
7442.00	339		
7448.AC	337		
7481.AC	335		
7483.83.AC	335		
7488.AC	335		
7821.AC	349		
7822.AC	349		
7901.AC	355		
7902.AC	355		
7908.AC	355		
7921.AC	356		
7922.AC	356		
7938.AC	347		

8

8108	285
8108	323
8200.AC	290
8219	289
8300.AC	286
8310.AC	286
8320	287
8330.AC	287
8340.AC	287
8350.AC	287

9

9000.AC	359
9010.00	282
9011.08	283
9011.16	283
9011.24	283
9011.32	283
9014.00	283
9018	281



resistente alle temperature elevate e agli shock termici

high temperature and thermal shock resistant

Resistenza termica
Thermal resistance

maggiore 250° C
higher than 250° C

resistenza al fuoco, agli sbalzi termici e al calore
resistant to fire, thermal shocks and heat

Temperatura di fusione
Melting temperature

maggiore 1400° C
higher than 1400° C

punto fusione elevatissimo
very high melting point

Punto infiammabilità
Flammable point

nessuno
none

non infiammabile; totale sicurezza passiva; assenza fumi in caso di incendi
not flammable; total passive security; smoke absence in case of fire

alto grado di resistenza ai graffi e agli urti

high resistance degree for scratches and crashes

Durezza
Hardness

superiore 300 N/mm2
higher than 300 N/mm2

elevata durezza all'incisione
high cut hardness

Resistenza alla compressione
Compression resistance

55 N/mm²
55 N/mm²

il prodotto ha un elevato grado di compressione
the product has a high compression degree

elevata riflessione luminosa extra white

extra white high luminous reflection

Luminanza
Luminance

riflessione maggiore 97%
reflection higher than 97%

elevata riflessione luminosa mantiene lo spettro cromatico della radiazione riflessa
high luminous reflection it keeps the chromatic spectrum of the reflected radiation

Colore
Colour

AirCoral® naturale
natural AirCoral®

extra white; bianco setoso naturale
extra white; natural silky white

Superficie
Surface

effetto satinato bianco
white satin effect

confortevole al tatto; sensazione tattile calda; effetto vellutato
touch comfortable; warm touch sensation; velvet effect

Decorazione
Decoration

decorabile
decorable

decorabile con qualsiasi pittura all'acqua o acrilica
decorable with each kind of water or acrylic paint

Manutenzione
Maintenance

assente
absent

non necessita di manutenzione in caso di sporczia pulire con carta leggermente abrasiva grano P320
no maintenance necessary in case of dirty to clean with light abrasive paper grain P320

non tossico, anallergico

not toxic, anti-allergic

Tossicità
Toxicity

assente (= 0)
absent (= 0)

prodotto anallergico; non tossico
anti-allergic product; not toxic

Reazione pericolosa
Dangerous reaction

nessuna (= 0)
no reaction (= 0)

prodotto adatto a qualsiasi tipo di ambiente; nessuna reazione irritante
product suitable for each kind of surroundings; no irritating reaction

Comportamento
Behaviour

materiale igroscopico
hygroscopic material

adatto anche ad ambienti umidi compatibilmente al cablaggio adottato
suitable also for wet surroundings compatible with the applied wiring

DC DURCORAL®

specifiche	Colore (decorabile) <i>Color (paintable)</i>	standard DurCoral® bianco ghiaccio <i>standard color DurCoral® ice white</i>
specifications	Resistenza all'umidità <i>Humidity resistance</i>	elevatissima <i>very high</i>
	Porosità all'acqua <i>Porosity to water</i>	≤ 2% ≤ 2%
	Resistenza al gelo /disgelo severo <i>Resistance to severe freezing / thawing</i>	elevatissima <i>very high</i>
	Resistenza meccanica alla compressione <i>Compressive strength</i>	≥140 N/mm ² ≥ 140 N/mm ²
	Resistenza meccanica alla flessione <i>Flexural strength</i>	≥ 55 N/mm ² ≥ 55 N/mm ²
	Spolverabilità di superficie <i>Surface sprinkling ability</i>	≤ 7 gr/mq ≤ 7 gr/mq

	C	A/C	C/W	D/C
Decorabile con pittura <i>Paintable</i>	●	●	●	●
Assenza di dilatazione <i>No expansion</i>	●	●	●	●
Resistenza termica <i>Thermal resistance</i>	●	●	●	●
Repellente alla polvere <i>Dust repulsive</i>	●	●	●	●
Superficie satinata bianca <i>White satin surface</i>	●	●	●	●
Resistente ai raggi UV <i>UV resistant</i>	●	●	●	●
Bassissima conducibilità termica <i>Lowest thermic conductivity</i>	●	●	●	●
Non tossico <i>Not toxic</i>	●	●	●	●
Non infiammabilità <i>Not flammable</i>	●	●	●	●
Anallergico <i>Anti-allergic</i>	●	●	●	●
Resistente agli shock termici <i>High resistance to temperature shocks</i>	●	●	●	●
Assenza di reattività chimica <i>Absence of chemical reactivity</i>	●	●	●	●
Durezza <i>Hardness</i>	●	●	●	●

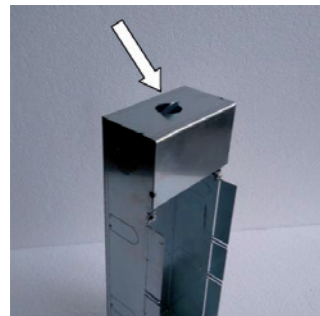
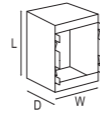
SVANTAGGI DEI MATERIALI CONCORRENTI
COMPETITORS DISADVANTAGES

Metallo <i>Metal</i>	<ul style="list-style-type: none"> dilatazione termica, conduttività termica, verniciature sensibili ai raggi UV e reagenti chimici, no prodotto custom. 	<ul style="list-style-type: none"> thermal expansion, thermal conductivity, paintings sensible to UV rays and chemical reagents, no custom product.
Plastica <i>Plastic</i>	<ul style="list-style-type: none"> no resistenza termica, sviluppa fumi tossici, verniciature sensibili ai raggi UV e reagenti chimici, no prodotto custom. 	<ul style="list-style-type: none"> no thermal resistance, it develops toxic fumes, paintings sensible to UV rays and chemical reagents, no custom product.
Vetro <i>Glass</i>	<ul style="list-style-type: none"> fragilità meccanica, conduttività termica, impossibili forme complesse, no prodotto custom. 	<ul style="list-style-type: none"> mechanical fragility, thermal conductivity, impossibility of complex shapes, no custom product.
Gesso <i>Plaster</i>	<ul style="list-style-type: none"> no resistenza termica, fragilità meccanica, impossibili forme complesse, si disidrata con il tempo. 	<ul style="list-style-type: none"> no thermal resistance, mechanical fragility, impossibility of complex shapes, it gets dehydrated within time.

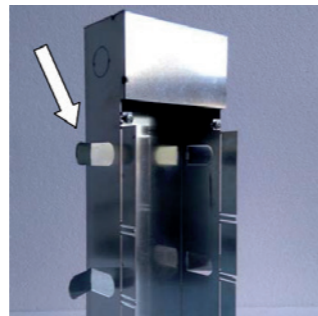
	C	A/C	C/W	D/C
Antibatterico <i>Antibacterial</i>		●		
Degradazione elementi inquinanti <i>Degradation of pollutants</i>		●		
Materiale fotocatalitico per purificare l'aria <i>Photocatalytic material to purify the air</i>		●		
Repellente ai liquidi <i>Waterproof</i>			●	
Antivandalico <i>Vandal resistant</i>				●
Resistenza meccanica alla flessione <i>Mechanical resistance to bending</i>				●
Antigraffio <i>Scratch resistant</i>				●
Resistenza all'abrasione <i>Abrasion resistance</i>				●
Inerte alla salinità <i>Resistant to salt environments</i>				●
Inerte al cloro <i>Resistant to chlorine environments</i>				●
Resistenza al gelo <i>Frost resistance</i>				●
Resistenza agli agenti atmosferici <i>Weather resistance</i>				●
Superficie extra fine hi-tech <i>Extra thin hi-tech surface</i>				●

MOUNTING INSTRUCTION

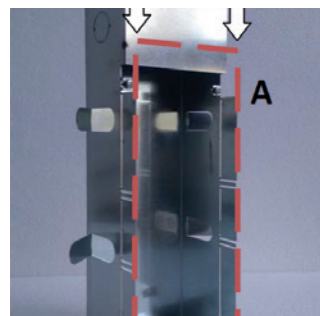
CASSAFORMA PER CALCESTRUZZO/LATERIZIO CONCRETE/BRICK HOUSING



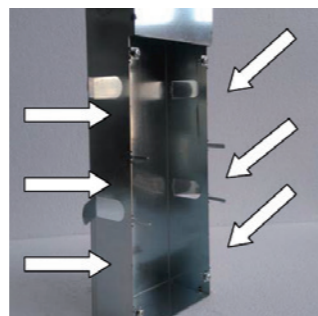
1
Rimuovere il blocco per il passaggio del corrugato.
Remove the block for the passage of the corrugates tube.



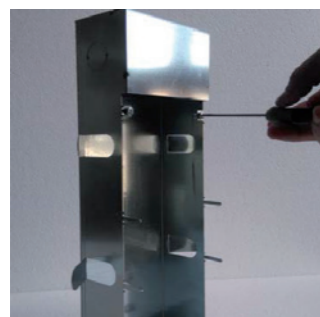
2
Allargare verso l'esterno le quattro zanche laterali.
Open out the four side anchors.



3
Murare la cassa fino a filo bordo "A" che rappresenta il livello finale dell'incasso Buzzi & Buzzi una volta installato.
Install the case in the wall up to the edge "A" that is the final level of the product once installed.



4
Quando la cassaforma è murata, rimuovere i bordi laterali.
When the cases is installed, remove the side edges.



5
Regolare le viti per mettere in bolla l'incasso Buzzi & Buzzi.
Adjust the screws to level the product.



6
Inserire il corpo del prodotto.
Insert the body of the product inside the metal box.

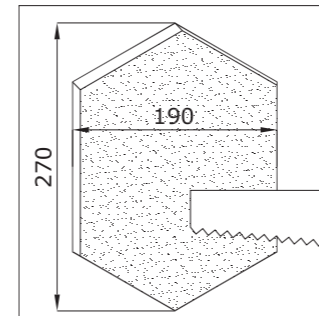


7
Bloccare il prodotto con le flange piegandole sulla staffa microforata.
Lock the product with the flanges bending them on the bracket.

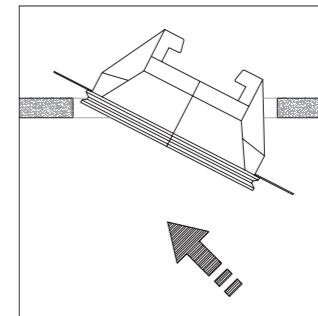


8
Procedere con la rasatura/finitura.
Proceed with the finish.

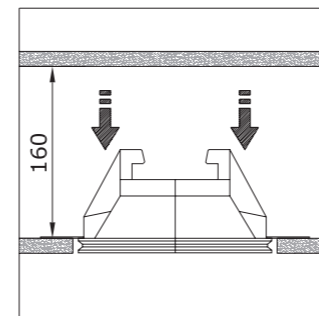
CARTONGESSO PLASTERBOARD



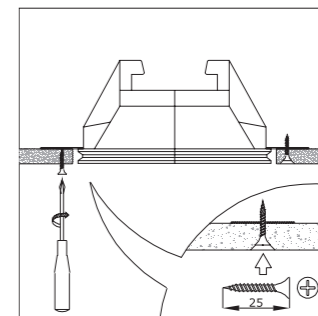
1
Forare il cartongesso.
Cut the plasterboard surface.



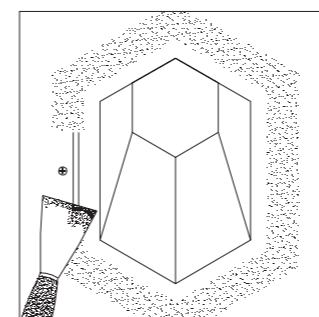
2
Inserire l'incasso in AirCoral®.
Insert the AirCoral® body.



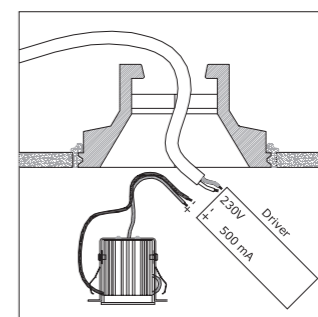
3
Posizionare l'incasso in AirCoral® in appoggio sul cartongesso.
Place the AirCoral® body onto the plasterboard surface.



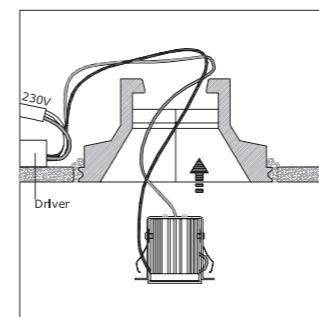
4
Fissare il prodotto con viti autofilettanti in corrispondenza delle alette microforate.
Fix the product with self-tapping screws right at the level of the micro-perforated wings.



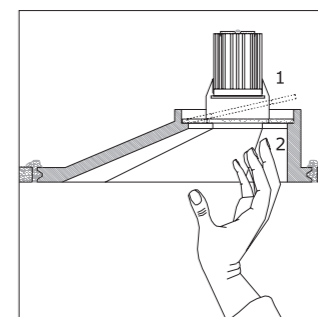
5
Stuccare e rasare il prodotto.
Plaster and putty the product.



6
Collegare la parte elettrica.
Connect the electrical part.



7
Inserire la parte elettrica.
Insert the electrical part.



8
Posizionare il vetro.
Place the glass.

CONFORMITY & CERTIFICATIONS





Le apparecchiature illustrate in questo catalogo, sono state progettate e costruite in conformità alle vigenti normative nazionali ed internazionali. Tutti gli apparecchi sono realizzati in conformità alle Direttive comunitarie EEC 73/23 LVD – EEC 89/336 EMC – EEC 93/68 CE Mark e muniti di marcatura **CE**.

The luminaires described in this catalogue have been designed and built in compliance with the applicable local and international regulations. All the luminaires have been built in conformity with the EEC 73/23 LVD – EEC 89/336 EMC – EEC 93/68 CE Mark European directives and provided with **CE** Mark.




GRADO DI PROTEZIONE PROTECTION GRADE

corpi solidi (prima cifra) solid bodies (first numeral)		corpi liquidi (seconda cifra) liquids (second numeral)	
0_	Non protetto No protection	_0	Non protetto No protection
1_	Protetto da solidi superiori a ø 50 mm Protection against solid bodies larger than ø 50 mm	_1	Protetto dalla caduta verticale di gocce di acqua Protected against vertically falling water drops
2_	Protetto da solidi superiori a ø 12 mm Protection against solid bodies larger than ø 12 mm	_2	Protetto dalla caduta di gocce di acqua con involucro inclinato max 15° Protected against vertically falling water drops when enclosure is tilted up to 15°
3_	Protetto da penetrazione di sonda con ø superiore a 2,5 mm Protection against penetration by probes larger than ø 2.5 mm	_3	Protetto dalla pioggia Protected against rain
4_	Protetto da penetrazione di sonda con ø superiore a 1 mm Protection against penetration by probes larger than ø 1 mm	_4	Protetto dagli spruzzi di acqua Protected against spraying water
5_	Protetto contro l'ingresso di polvere Protection against ingress of dust	_5	Protetto da getti di acqua Protected against water jets
6_	Stagno alla polvere Dust-tight	_6	Protetto dalle onde Protected against powerful water jets
		_7	Stagno alla sommersione Sealed against immersion
		_8	Stagno alla sommersione Sealed against immersion

CLASSE DI ISOLAMENTO INSULATION CLASS

	Classe 0 <i>Class 0</i>	Apparecchio dotato di solo isolamento funzionale. Protezione: data dall'ambiente. Luminaire with functional insulation only. Protection: given by the environment.
	Classe 1 <i>Class 1</i>	Apparecchio dotato di isolamento di base. Protezione: collegamento delle parti metalliche accessibili alla terra di protezione. Luminaire with basic insulation. Protection: connection of the accessible metal parts to the earthing protection.
	Classe 2 <i>Class 2</i>	Apparecchio dotato di doppio isolamento. Protezione: mediante isolamento supplementare. Luminaire with double insulation. Protection: through additional insulation.
	Classe 3 <i>Class 3</i>	Apparecchio idoneo per alimentazione a bassissima tensione di sicurezza. Protezione: intrinsecamente sicuro. Le parti che portano corrente possono essere accessibili. Luminaire suitable for supply at safety extra low voltage. Protection: intrinsically safe. The live parts can be accessed.

CLASSIFICAZIONE SECONDO IL MATERIALE DELLA SUPERFICIE DI INSTALLAZIONE RATING ACCORDING TO THE MOUNTING SURFACE MATERIAL

	Apparecchio predisposto per il montaggio diretto su superfici infiammabili. Luminaire designed for direct mounting on inflammable surfaces.
	Apparecchio idoneo ad essere installato su superfici normalmente infiammabili rispettando la distanza indicata tra prodotto e pareti. Luminaire designed for installation on normally inflammable surfaces provided that the distance indicated between product and walls is respected.
	Apparecchio idoneo per montaggio solo su superfici non infiammabili. Luminaire designed for mounting only on non-inflammable surfaces.

APPROVATA QUALITÀ APPROVED QUALITY



TCNA
TCNA

TCNA, Tile Council of North America, è l'ente Americano che certifica l'AirCoral® come materiale: ANTIBATTERICO capace di eliminare i batteri dalle superfici; ANTINQUINANTE capace di ridurre gli elementi inquinanti presenti nell'aria; FOTOCATALITICO capace di ridurre gli elementi dannosi.

TCNA, Tile Council of North America, is the American body that has certified the AirCoral® material as: ANTIBACTERIAL able to eliminate bacteria on its surfaces ANTI-POLLUTING able to reduce polluting elements in the air PHOTOCATALYTIC able to reduce harmful elements.



REACH - sicurezza chimica
REACH - chemical safety

Regolamentazione e certificazione (direttiva Parlamento Europeo) per la produzione di sostanze chimiche, con lo scopo di proteggere l'uomo e l'ambiente da sostanze tossiche. Il prodotto AirCoral® è privo di sostanze tossiche, non contiene elementi dannosi per la salute dell'uomo o inquinanti secondo l'elenco registrato dall'Agenzia Europea delle sostanze chimiche (ECHA).

Regulation and certification (European Parliament directive) for the production of chemical substances, in order to protect people and environment against toxic substances. The AirCoral® product is devoid of toxic substances, it does not contain noxious elements for the human health or polluting elements according to the registered list of the European Agency for chemical substances (ECHA).



MADE IN ITALY
Iscrizione Buzzi IT
MADE IN ITALY IT
Registration Buzzi

Istituto per la tutela dei produttori italiani. Certifica che la collezione Buzzi & Buzzi è interamente prodotta in Italia, non importata ed utilizza la migliore componentistica elettronica europea. Una garanzia per la lotta alla contraffazione del made in Italy, troppo spesso solo dichiarato senza essere ufficialmente certificato, e per un'assoluta tutela dei consumatori finali. Grazie al certificato "Made in Italy Certificate", si fa netta la distinzione tra la produzione 100% made in Italy e quella semplicemente dichiarata ma di dubbia provenienza.

Institute for the tutelage of the Italian manufacturers. It certifies that the Buzzi & Buzzi collection is entirely produced in Italy, not imported and it is using the best European electronic components. A guarantee for the fight against fakes of the made in Italy, too often only declared without being officially certified, and for the absolute tutelage of the final consumers. Thanks to the "Made in Italy Certificate", you can distinguish clearly between the 100% made in Italy production and the one simply declared but with doubtful origin.



Certificazione Europea
European Certification

Conformità Européenne. La Società Buzzi & Buzzi è certificata da Ente Terzo notificato per la sicurezza dei propri prodotti che garantisce la conformità alle più restrittive norme tecniche vigenti.

European Conformity. The company Buzzi & Buzzi is certified by a notified Third Board for the security of the own products, guaranteeing the conformity to the most restrictive technical regulations in force.



Certificazione Gost – R
Certification Gost – R

Certificazione della qualità del prodotto e conformità alle normative ed esigenze della federazione russa.

Product quality certification in conformity to the regulations and requirements of the Russian Federation.



Certificazione LEED
LEED Certification

La certificazione LEED, Leadership in Energy and Environmental Design, è lo standard riconosciuto per misurare l'impatto ambientale e la sostenibilità degli edifici. Ottenere la certificazione LEED è il miglior modo per dimostrare che un edificio, in ogni sua parte, è veramente "green".

LEED (Leadership in Energy and Environmental Design) certification is the recognised standard for measuring the environmental impact and sustainability of buildings. LEED certification is the best proof that a building is well and truly "green".



Certificazione UL
UL Certification

UL, Underwriters Laboratories, è il laboratorio di prova maggiormente riconosciuto per l'omologazione degli apparecchi commercializzati in America. La collezione Buzzi & Buzzi è in fase di certificazione; contattare l'azienda per ulteriori informazioni.

UL, Underwriters Laboratories, is the best recognised test lab for the certification of devices traded in America. Buzzi & Buzzi's collection is currently in the process of being certified. Please contact the company for further information.



Certificazione ETL
ETL Certification

ETL, Electrical Testing Laboratories, è una certificazione di sicurezza. Indica che il prodotto è stato testato per poter essere venduto e distribuito nel territorio nordamericano. La collezione Buzzi & Buzzi è certificata; si prega di contattare per ulteriori aggiornamenti.

ETL, Electrical Testing Laboratories, is a quality certification. It guarantees that the product was tested before being sold and delivered within the North American boundaries. The collection of Buzzi & Buzzi is certified; for further updates, please contact us.



Ogni prodotto in AirCoral® viene corredato del certificato "PRODUCT TESTING SERVICE" fornito dal Tile Council of North America. Ogni prodotto in AirCoral® è identificato da apposita marchiatura con targa in alluminio.

Testato per impermeabilità con pressione a (200 +/- 50) kPa pari a 2 atm per (72 +/- 2) h, secondo la normativa (UNI EN 12390-8:2009). Testato da: Istituto Giordano

Every product made with AirCoral® is accompanied by a "PRODUCT TESTING SERVICE" certificate provided by the Tile Council of North America. Every product made with AirCoral® is identified by a marking with a special aluminum plate.

Tested for water resistance under pressure conditions of (200 +/- 50) kPa equal to 2 atm per (72 +/- 2) h, according to the (UNI EN 12390-8:2009) regulation. Tested by: Istituto Giordano

Buzzi & Buzzi si riserva la facoltà di variare o modificare, senza preavviso, le dimensioni e le caratteristiche tecniche dei prodotti indicati in questo catalogo in funzione delle necessità operative, per migliorarne la funzionalità o in adeguamento a normativa di legge.

Buzzi & Buzzi reserves itself the faculty to change or to modify, without advance notice, the dimensions and the technical characteristics of the products indicated in this catalogue, due to operative necessities to improve the functionality or updating with law regulation.

