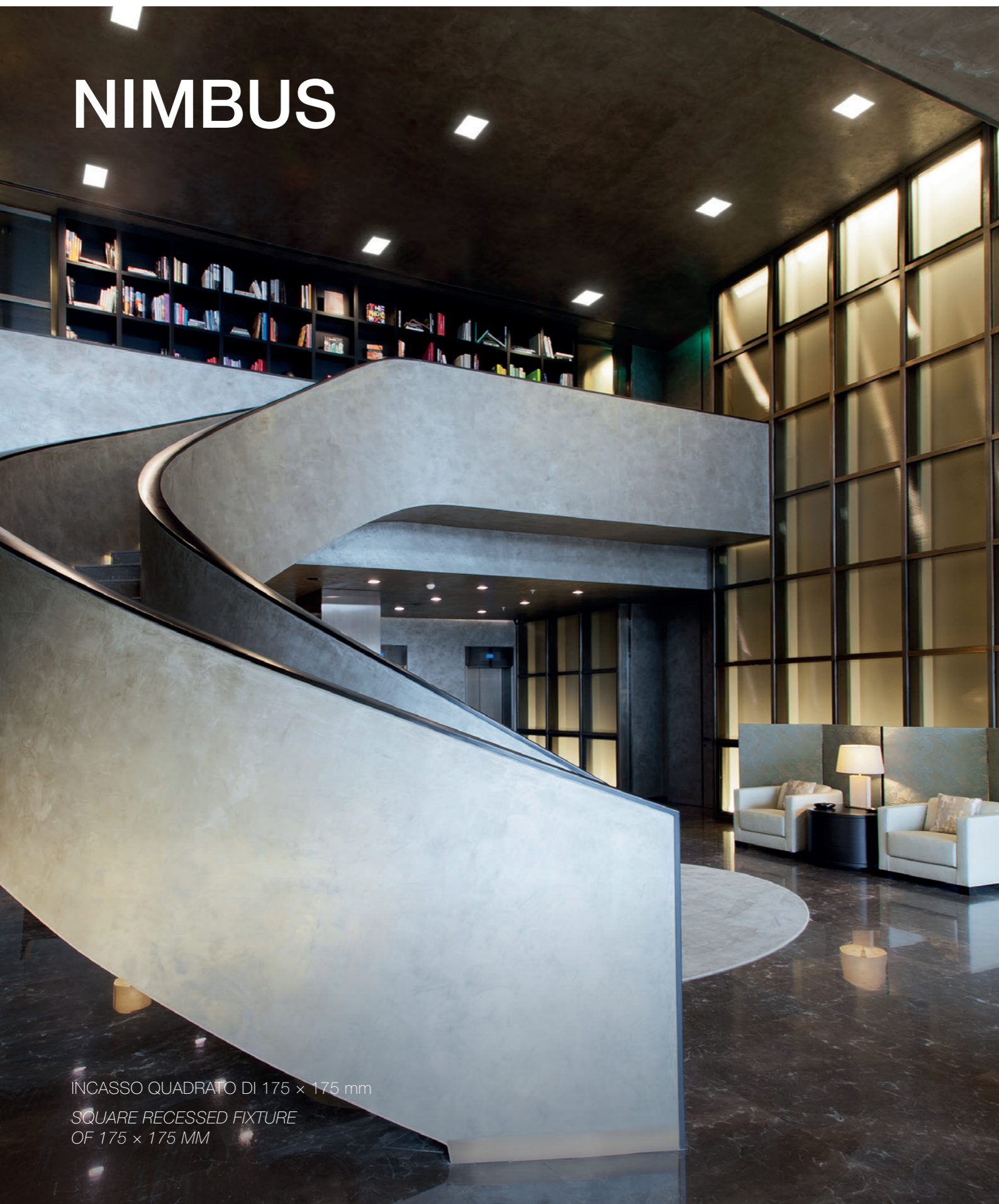


# NIMBUS



INCASSO QUADRATO DI 175 × 175 mm  
 SQUARE RECESSED FIXTURE  
 OF 175 × 175 MM



## Nimbus



### OTHER AVAILABLE CODES

6281.27.AC	<i>lens</i>	40°
	<i>light colour</i>	2700K
6281.40.AC	<i>lens</i>	40°
	<i>light colour</i>	4000K (on request)
6283.27.AC	<i>lens</i>	120°
	<i>light colour</i>	2700K
6283.40.AC	<i>lens</i>	120°
	<i>light colour</i>	4000K (on request)

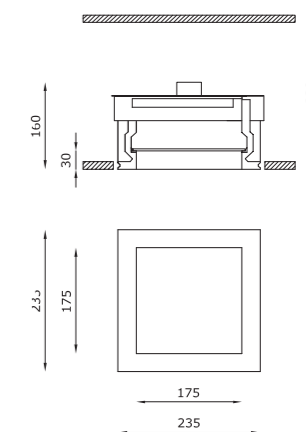
### TECHNICAL FEATURES

Code	6281.AC	6283.AC
Type	Downlight 90°	Downlight 90°
Material	AC: AirCoral®	AC: AirCoral®
Absorption capacity*	6.82 m²	6.82 m²
Weight	3 Kg	3 Kg
Mounting	Ceiling recessed	Ceiling recessed
IP rating	IP40	IP40
Insulation class	I	I
Control gear	ON/OFF driver (included)	Dimmable constant current driver (included)
Cut out for plasterboard	245 × 245 mm	245 × 245 mm
Lamp type	LED 1050 mA ☐	LED 500 mA ☐
Lamp wattage	1 × 40W	2 × 6.5W
Luminous efficacy	1 × 4680 lm - 3000K	2 × 930 lm - 3000K
Light distribution	Wide beam 40°	Wide beam 120°
Fitting	-	-
Light colour	White 3000K	White 3000K
Light hole	175 × 175 mm	175 × 175 mm
Voltage connection	220-240V · 50/60Hz	220-240V · 50/60Hz
CRI	>90	>90
Emergency	-	-
Energy efficiency class	A++	A+
Note	Extra white satin glass. Frosted glass recessed 30 mm into the ceiling.	Extra white satin glass. Frosted glass recessed 30 mm into the ceiling.
	Other available light colours: 2700K, 4000K (on request).	Trailing-edge and leading-edge dimming (20 - 100%).  Other available light colours: 2700K, 4000K (on request).

### OPTIONAL

Brick box	-	cod. BR6283LT
-----------	---	---------------

## Indoor Recessed



\* The absorption capacity per m² calculated by the American organization TCNA (Tile Council of North America) is measured for an average room of 2.7 m in height and therefore expressed in m²