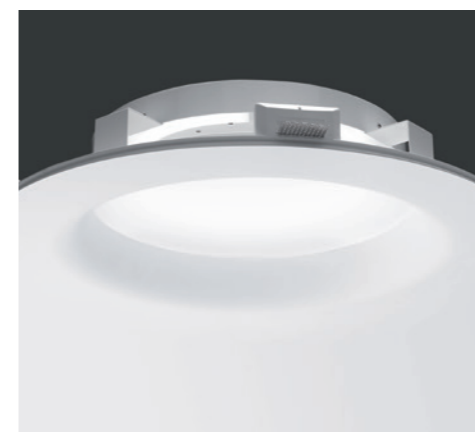


SUPERNOVA



LAMPADA DA INCASSO
MA ANCHE UNA BOTOLA DI ISPEZIONE

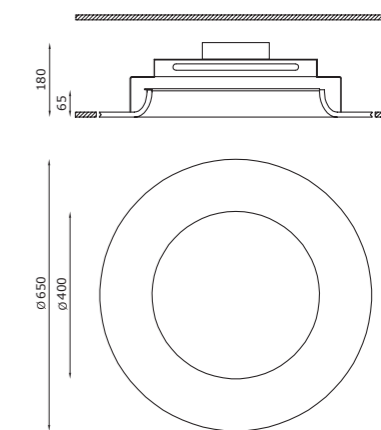
RECESSED LAMP
BUT ALSO AN INSPECTION HATCH



Supernova



Indoor Recessed



TECHNICAL FEATURES

Code	5133.AC	5135.AC
Type	Downlight 90°	Downlight 90°
Material	AC: AirCoral®	AC: AirCoral®
Absorption capacity*	21.04 m ²	21.04 m ²
Weight	9 Kg	9 Kg
Mounting	Ceiling recessed	Ceiling recessed
IP rating	IP40	IP40
Insulation class	III	III
Control gear	ON/OFF driver (included)	ON/OFF driver (included)
Cut out for plasterboard	Ø 660 mm	Ø 660 mm
Lamp type	LED 700 mA	LED 1050 mA
Lamp wattage	1 × 20W	1 × 30W
Luminous efficacy	1 × 2750 lm	1 × 3950 lm
Light distribution	Wide beam 120°	Wide beam 120°
Fitting	-	-
Light colour	White 3000K	White 3000K
Light hole	Ø 400 mm	Ø 400 mm
Voltage connection	220-240V · 50/60Hz	220-240V · 50/60Hz
CRI	>90	>90
Emergency	-	-
Energy efficiency class	A*	A*
Note	Can be used as a trap door for inspecting the false ceiling.	Can be used as a trap door for inspecting the false ceiling.
	DALI driver on request.	DALI driver on request.
	Other available light colours: 4000K (on request).	Other available light colours: 4000K (on request).

* The absorption capacity per m² calculated by the American organization TCNA (Tile Council of North America) is measured for an average room of 2.7 m in height and therefore expressed in m²