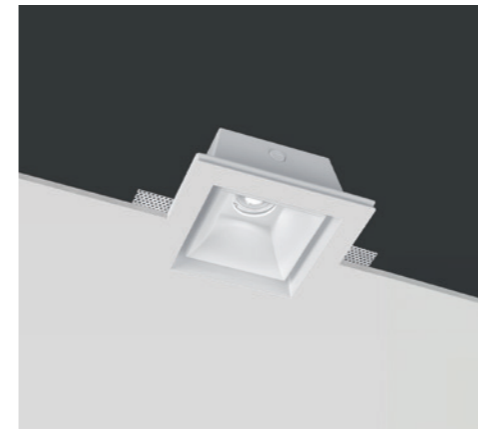


BELL

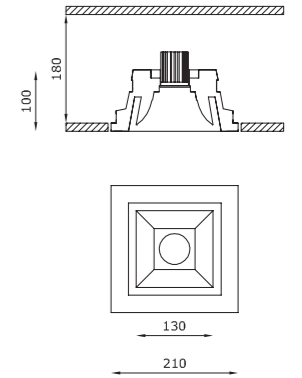


LAMPADA DA INCASSO
CON SCURETTO INTERNO

RECESSED LAMP
WITH INNER SHUTTER



Bell



OTHER AVAILABLE CODES

1901.27.AC	<i>lens</i>	40°
	<i>light colour</i>	2700K
1901.40.AC	<i>lens</i>	40°
	<i>light colour</i>	4000K
<i>emergency</i>		
1902.AC 4 R 40 E _ WD	<i>lens</i>	40°
	<i>light colour</i>	
	27	2700K
	30	3000K
	40	4000K

example of code composition 1902.AC 4 R 40 E **30** WD

TECHNICAL FEATURES

Code	1901.AC	1902.AC XX emergency
Type	Downlight 90°	Downlight 90°
Material	AC: AirCoral®	AC: AirCoral®
Absorption capacity*	5.69 m²	5.69 m²
Weight	2.9 Kg	3 Kg
Mounting	Ceiling recessed	Ceiling recessed
IP rating	IP20	IP20
Insulation class	III	III
Control gear	Remote constant current electronic driver (not included)	Remote constant current electronic driver (not included), inverter (included)
Cut out for plasterboard	220 x 220 mm	220 x 220 mm
Lamp type	LED 500 mA ⚡ V _f : 18 VDC	LED 500 mA ⚡ V _f : 18 VDC
Lamp wattage	1 x 9W	1 x 9W
Luminous efficacy	1 x 1125 lm - 3000K	1 x 1125 lm - 3000K
Light distribution	Wide beam 40°	Wide beam 40°
Fitting	-	-
Light colour	White 3000K	White 3000K White 2700K 4000K
Light hole	130 x 130 mm	130 x 130 mm
Voltage connection	By driver (optional)	220-240V · 50/60Hz
CRI	>90	>90
Emergency	-	1 hour
Energy efficiency class	A++	A++
Note	Other available light colours: 2700K, 4000K.	-

OPTIONAL

ON/OFF driver	cod. H8500.E	cod. H8500.E
Trailing and leading edge driver	cod. DRV0000163	cod. DRV0000163
DALI dimmable LED driver	cod. DRV0000029	cod. DRV0000029
PUSH dimmable LED driver	cod. DRV0000026	cod. DRV0000026
PUSH/1-10V/DALI dimmable LED driver	cod. DRV0000093	cod. DRV0000093

For further info and other available drivers please see page 474