



ALKABOX

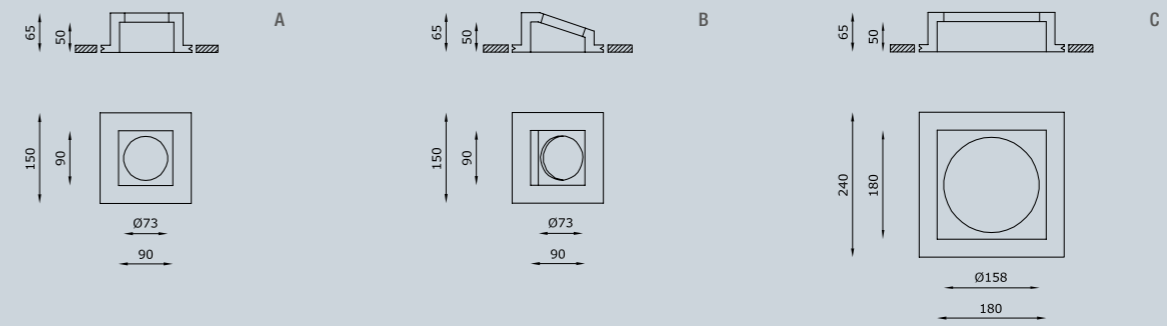


UN BOX PER MOLTEPLICI FARETTI.

Alkabox, apparecchio da interni, incasso installabile in soffitti di cartongesso, un "case" vuoto atto ad accogliere i faretti ad incasso adatti ad ogni necessità, risultando in uno straordinario effetto di totale scomparsa grazie a linee pulite e design essenziale. Il prodotto è disponibile in 3 versioni a seconda delle esigenze: adatto ad ospitare faretti da incasso standard con dimensioni Ø 73/158 mm e ghiera max Ø 88/178 mm. Coniugando un'estrema versatilità a uno stile unico, Alkabox dona carattere agli ambienti in cui viene installato. Realizzato in Coral®, risulta estremamente liscio al tatto e allo stesso tempo resistente agli urti e ai graffi.

A BOX FOR MULTIPLE SPOTLIGHTS.

Alkabox, an indoor recessed luminaire, installable on plasterboard ceilings, and fit for multiple types of reflectors thanks to its whole "case". It is able to achieve an extraordinary effect of total disappearance thanks to its clean lines and essential design. Available in 3 versions depending on the necessity: with Ø 73/158 mm body dimensions and max Ø 88/178 mm ferrule, the product combines an extreme versatility to a unique style, to characterize the spaces it is installed in. Made of Coral®, it is very smooth to the touch yet very resistant to shocks and scratches.



TECHNICAL FEATURES

	6211.00 (fig. A)	6221.00 (fig. B)	6231.00 (fig. C)
Code	6211.00 (fig. A)	6221.00 (fig. B)	6231.00 (fig. C)
Type	Downlight 90° 	Downlight 90° 	Downlight 90°
Material	00: Coral®	00: Coral®	00: Coral®
Weight	0.8 Kg	0.85 Kg	0.85 Kg
Mounting	Ceiling recessed	Ceiling recessed	Ceiling recessed
IP rating	-	-	-
Insulation class	-	-	-
Control gear	-	-	-
Cut out for plasterboard	160 x 160 mm	160 x 160 mm	250 x 250 mm
Lamp type	-	-	-
Lamp wattage	-	-	-
Luminous efficacy	-	-	-
Light distribution	-	-	-
Fitting	-	-	-
Light colour	-	-	-
Light hole	90 x 90 mm	90 x 90 mm	180 x 180 mm
Voltage connection	-	-	-
CRI	-	-	-
Emergency	-	-	-
Energy efficiency class	-	-	-
Note	Box for the mounting at 90° of a recessed luminaire. Adapted for recessed luminaires of any type and brand with metal ring of max Ø 88 mm and hole for recessed luminaire of Ø 73 mm.	Box for the mounting at 30° of a recessed luminaire. Adapted for recessed luminaires of any type and brand with metal ring of max Ø 88 mm and hole for recessed luminaire of Ø 73 mm.	Box for the mounting at 90° of a recessed luminaire. Adapted for recessed luminaires of any type and brand with metal ring of max Ø 178 mm and hole for recessed luminaire of Ø 158 mm.