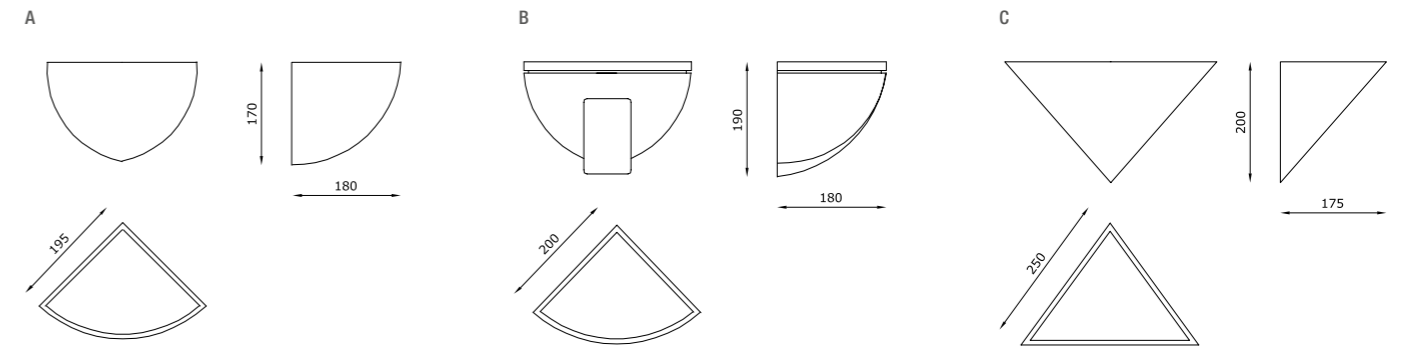


ANGOLO



Angolo è una lampada a parete da interni in AirCoral® dal design pulito: disponibile in 3 diverse forme. Angolo si inserisce perfettamente nell'incrocio di due pareti ortogonali, dando vita a una luce indiretta che illumina gli ambienti in modo delicato e mai invasivo. Performance illuminotecniche uniche si fondono con un'attenzione per l'estetica e per i dettagli, in una perfetta combinazione di tecnologia avanzata ed eleganza.

Angolo is an indoor wall lamp made of AirCoral® with a clean design: available in 3 different shapes. Angolo perfectly fits inside the intersection of two orthogonal walls, giving life to an indirect light that illuminates the environment in a delicate and never invasive way. Unique illuminating engineering performances are blended with an attention to beauty and details, in a perfect combination of advanced technology and elegance.



TECHNICAL FEATURES

Code	7621.AC (fig. A)	7622.AC (fig. A)	7721.AC (fig. B)	7722.AC (fig. B)	7821.AC (fig. C)	7822.AC (fig. C)
Type	Wall lamp 	Wall lamp 	Wall lamp 	Wall lamp 	Wall lamp 	Wall lamp
Material	AC: AirCoral®	AC: AirCoral®	AC: AirCoral®	AC: AirCoral®	AC: AirCoral®	AC: AirCoral®
Absorption capacity*	8.88 m ²	8.88 m ²	8.88 m ²	8.88 m ²	8.88 m ²	8.88 m ²
Mounting	Wall mounting	Wall mounting	Wall mounting	Wall mounting	Wall mounting	Wall mounting
IP rating	IP20	IP20	IP20	IP20	IP20	IP20
Insulation class	I	I	I	I	I	I
Control gear	-	-	-	-	-	-
Lamp type	D 45 	QT-DE12 (75 mm) 	D 45 	QT-DE12 (75 mm) 	D 45 	QT-DE12 (75 mm)
Lamp wattage	1 x 60W max	1 x 150W max	1 x 60W max	1 x 150W max	1 x 60W max	1 x 150W max
Luminous efficacy	-	-	-	-	-	-
Light distribution	-	-	-	-	-	-
Fitting	E14	R7s	E14	R7s	E14	R7s
Light colour	-	-	-	-	-	-
Voltage connection	220-240V · 50/60Hz	220-240V · 50/60Hz	220-240V · 50/60Hz	220-240V · 50/60Hz	220-240V · 50/60Hz	220-240V · 50/60Hz
CRI	-	-	-	-	-	-
Emergency	-	-	-	-	-	-
Energy efficiency class	A ⁺	A	A ⁺	A	A ⁺	A
Note	-	-	-	-	-	-

* The absorption capacity per m² calculated by the American organization TCNA (Tile Council of North America) is measured for an average room of 2.7 m in height and therefore expressed in m²