

Design
Matteo Baroni



ATOM



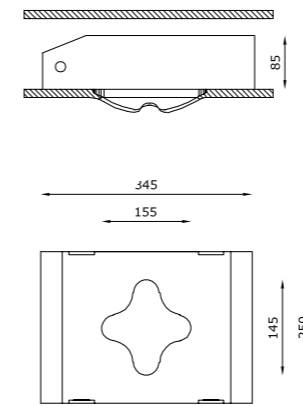
UN SEMI INCASSO DALLE FORME SINUOSE.

La forma si coniuga con la sostanza, il design diventa l'essenza dell'eleganza, in un apparecchio dalle linee morbide e sinuose: Atom, semincasso a scomparsa totale per installazione in soffitto di cartongesso o laterizio, è una soluzione dal fascino unico. Il vetro si adagia sulle linee sinuose del corpo in AirCoral® e grazie alla finitura satinata consente al fascio di luce di diffondersi in modo omogeneo nello spazio.

Un apparecchio che fa della semplicità la sua forza, una risposta innovativa al desiderio di illuminare con stile qualsiasi ambiente.

A SEMI-RECESSED FITTING WITH SINUOUS SHAPES.

Form combines with substance and design becomes the essence of elegance in a product with soft and sinuous lines: Atom, an indoor totally disappearing semi recessed luminaire, installable on plasterboard or brick ceilings, is a solution with a unique appeal. The glass covers up the elegant lines of the AirCoral® body thanks to satin finishing touches, which allow the beams of light to uniformly scatter within the space. A luminaire with a strong yet delicate effect, an innovative answer to the desire of lighting every environment with style.



Recessed



Private House - Arch. L. Picardi - Naples

TECHNICAL FEATURES

Code	6153.Z.AC	6152.AC
Type	Downlight 90° 	Downlight 90°
Material	AC: AirCoral®	AC: AirCoral®
Absorption capacity*	4.28 m²	4.28 m²
Weight	2.5 Kg	1.5 Kg
Mounting	Ceiling half recessed	Ceiling half recessed
IP rating	IP40	IP40
Insulation class	III	III
Control gear	Constant current electronic driver	Dimmable electronic transformer
Cut out for plasterboard	250 x 280 mm	250 x 280 mm
Lamp type	LED 500mA 	QR CB 51
Lamp wattage	1 x 9W	1 x 50W max
Luminous efficacy	1125 lm - 3000K	-
Light distribution	Wide beam 40°	-
Fitting	-	GU5.3
Light colour	White 3000K White 2700K 4000K (on request)	-
Light hole	145 x 155 mm	145 x 155 mm
Voltage connection	220-240V · 50/60Hz	220-240V / 12V · 50/60Hz
CRI	>90	-
Emergency	-	-
Energy efficiency class	A++	A
Note	Extra white satin glass. On request available dimmable PUSH or DALI.	Extra white satin glass.

OPTIONAL ACCESSORIES

product code	optional code	description	info
6152.AC	0008KIT	Kit LED dimmable	Bulb 7W · 12V

* The absorption capacity per m² calculated by the American organization TCNA (Tile Council of North America) is measured for an average room of 2.7 m in height and therefore expressed in m²