

# LINEA 5



## SISTEMA MODULARE TAGLIABILE A MISURA.

Linea 5 è un sistema modulare a parete da interni in AirCoral® con possibilità d'installazione in fila continua: una luce indiretta adatta ad ogni ambiente grazie alla possibilità di personalizzare la lunghezza dei moduli e tagliarli a 45° per ottenere angoli interni ed esterni. Un prodotto che permette di creare linee potenzialmente infinite, stabilendo regole sempre nuove all'interno della progettazione illuminotecnica: pulizia formale e luce pura per una soluzione elegante e discreta che si pone al servizio dei materiali e dei volumi, giocando un ruolo di primo piano nella definizione degli spazi.

La particolare sovrapposizione delle sorgenti luminose evita qualsiasi cono d'ombra, per un effetto uniforme e suggestivo.

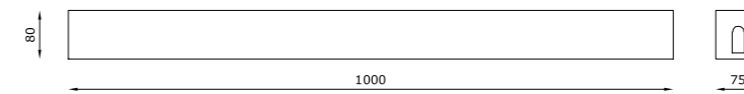
## MODULAR SYSTEM WHICH CAN BE CUT TO MEASURE.

*Linea 5 is an indoor wall system made of AirCoral®, installable in a continuous line: an indirect light perfect for any environment thanks to its linear modules that can be cut to the desired length and at 45° to get internal and external angles.*

*A product that can create endless light lines, establishing new rules inside illuminating engineering projects: formal purity and pure light for an elegant and discreet solution at the service of materials and volumes, playing a prominent role in the definition of spaces.*

*The peculiar overlapping of the light sources avoids any shadow cones, creating a uniform and suggestive effect.*

### SINGLE MODULE CLOSED



## TECHNICAL FEATURES | MODULAR BODY WITH LAMP

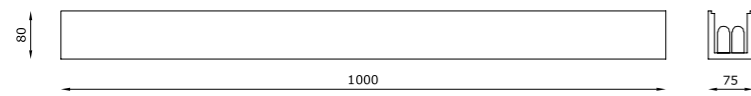
Code	9024.AC	9026.AC
Type	Wall lamp 	Wall lamp 
Material	AC: AirCoral®	AC: AirCoral®
Absorption capacity*	17.28 m <sup>2</sup>	17.28 m <sup>2</sup>
Mounting	Wall mounting	Wall mounting
IP rating	IP20	IP40
Insulation class	II	III
Control gear	-	-
Lamp type	T5 (lamp included) 	LED 24V 
Lamp wattage	1 x 21W	1 x 21W
Luminous efficacy	1850 lm	2100 lm
Light distribution	-	-
Fitting	G5	-
Light colour	White 2700K	White 3000K White 2700K (on request)
Voltage connection	220-240V · 50/60Hz	220-240V · 50/60Hz
CRI	-	-
Emergency	-	-
Energy efficiency class	A+	A++
Note	Single module closed and connected.	Single module closed and connected.

## OPTIONAL ACCESSORIES

product code	optional code	description	info
9024.AC	9031	Polycarbonate safety screen	Protection IP40
9026.AC	9031	Polycarbonate safety screen	Protection IP40
	H8024.25	Constant voltage LED driver	Suitable for n°1 code 9026.AC - 24V

\* The absorption capacity per m<sup>2</sup> calculated by the American organization TCNA (Tile Council of North America) is measured for an average room of 2.7 m in height and therefore expressed in m<sup>2</sup>

SINGLE MODULE OPEN



TECHNICAL FEATURES | MODULAR BODY WITHOUT LAMP

Code	9020.AC	9100.AC
Type	Wall lamp	Wall lamp
Material	AC: AirCoral®	AC: AirCoral®
Absorption capacity*	17.28 m²	17.28 m²
Mounting	Wall mounting	Wall mounting
IP rating	-	-
Note	Single module closed and empty. Lamp not included.	Single module open and empty. Lamp not included.

TECHNICAL FEATURES | LIGHT SOURCE

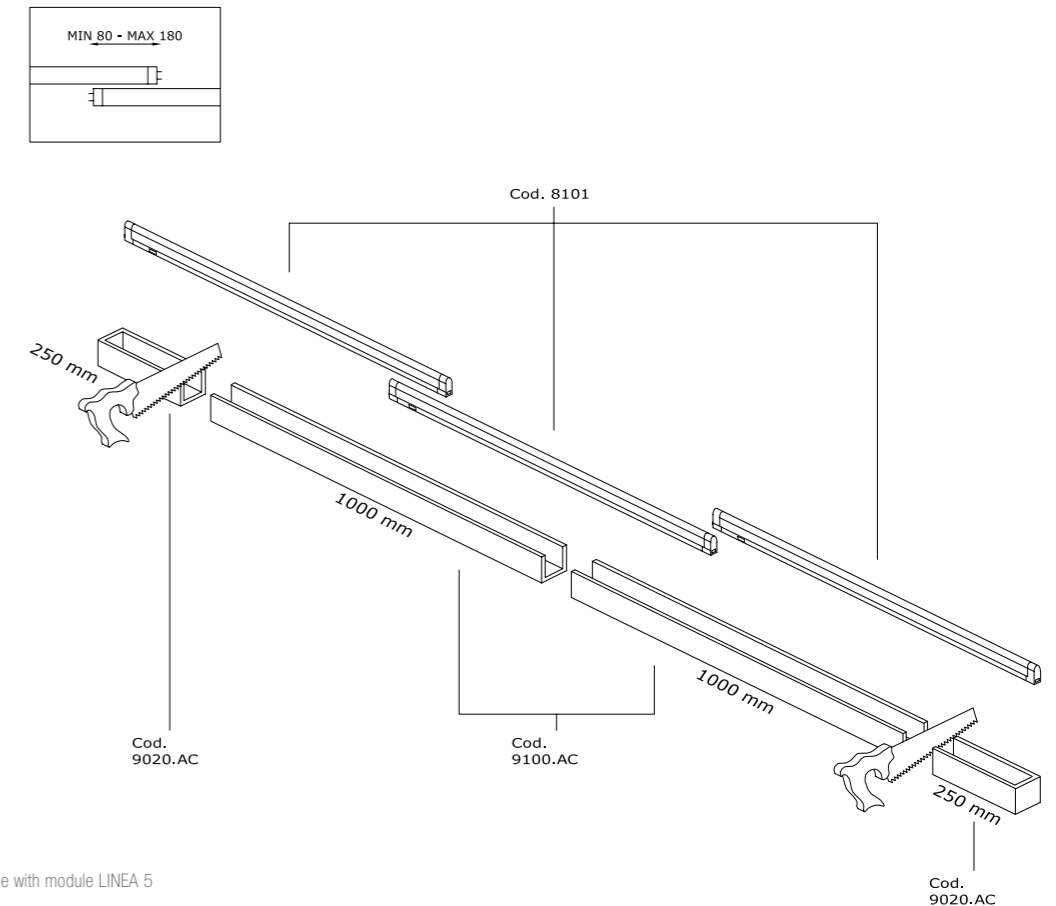
Code	8101	8102	8108
IP rating	IP20	IP20	IP40
Insulation class	II	II	III
Control gear	-	-	-
Lamp type	T5 (915 mm)	T5 (1215 mm)	LED 24V (900 mm)
Lamp wattage	21W	28W	21W
Luminous efficacy	1850 lm	2470 lm	2100 lm
Light distribution	-	-	-
Fitting	G5	G5	-
Light colour	White 2700K	White 2700K	White 3000K White 2700K (on request)
Voltage connection	220-240V · 50/60Hz	220-240V · 50/60Hz	220-240V · 50/60Hz
CRI	-	-	-
Emergency	-	-	-
Energy efficiency class	A	A	A++
Note	Complete with alimentation cable and plug for the connection in series of several lamps.	Complete with alimentation cable and plug for the connection in series of several lamps.	-

OPTIONAL ACCESSORIES

product code	optional code	description	info
8108	H8024.25	Constant voltage LED driver	Suitable for n°1 code 8108 - 24V
9020.AC	9031	Polycarbonate safety screen	Protection IP40
9100.AC	9030	Polycarbonate safety screen	Protection IP40

EXAMPLE OF INSTALLATION

Note Attention, for creating luminous continuity without shadow cones it is recommended to place on the electrical parts from a minimum of 80 mm to a maximum of 180 mm



Example of application in continuous line with module LINEA 5 for 2500 mm:

- 2 pcs of empty modules code 9100.AC length 1000 mm each
- 2 pcs of lateral closing parts length 250 mm each; derives cutting the desired length of the module code 9020.AC (see drawing)

Example for applied connections:

- 3 pcs connections code 8101 Fluo T5 21W length 915 mm; placed on for 120 mm each

\* The absorption capacity per m² calculated by the American organization TCNA (Tile Council of North America) is measured for an average room of 2.7 m in height and therefore expressed in m²