

SUPERNOVA

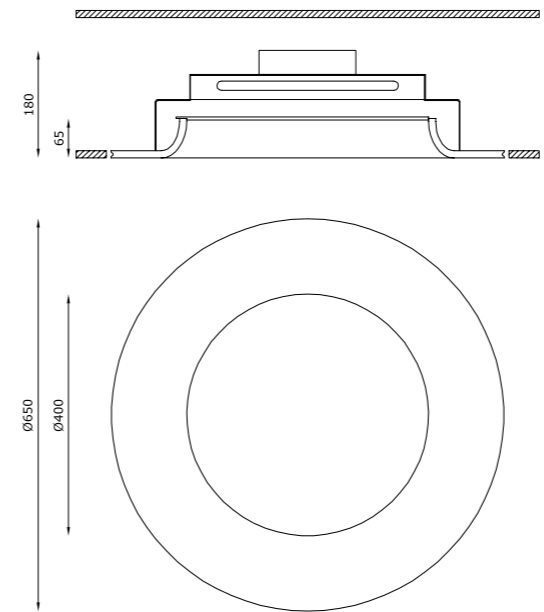


UNA LAMPADA DA INCASSO
MA ANCHE UNA BOTOLA DI ISPEZIONE.

Un'esplosione luminosa, un dettaglio di luce che all'improvviso si staglia nell'ambiente conferendo un effetto di morbidezza delle superfici, illuminandolo in modo deciso. Supernova è un apparecchio da interni a scomparsa totale con corpo in AirCoral® a luce diretta per installazione in soffitto di cartongesso che dona vita ai particolari costruttivi. Il foro luce stonato esalta la plasticità dei soffitti, rispondendo alle esigenze architettoniche contemporanee. La parte elettrica di Supernova può essere sollevata e **utilizzata come botola di accesso per l'ispezione** del controsoffitto.

A LIGHT WITH RECESSED FITTING
BUT ALSO AN INSPECTION HATCH.

A bright explosion, a detail of light that suddenly stands out in the spaces, illuminating in a decisive way. Supernova is a totally disappearing direct light recessed indoor luminaire made of AirCoral®, installable on plasterboard ceilings, perfect to enlighten architectural details. The rounded light hole creates a decisive light to enhance the plasticity of the ceiling, satisfying the contemporary architectural requests. The electric part of Supernova can be lifted from the support and **be used as trapdoor for the inspection** of the false ceiling.



TECHNICAL FEATURES

Code	5134.AC	5133.AC	5135.AC
Type	Downlight 90° 	Downlight 90° 	Downlight 90°
Material	AC: AirCoral®	AC: AirCoral®	AC: AirCoral®
Absorption capacity*	21.04 m²	21.04 m²	21.04 m²
Weight	9.4 Kg	9 Kg	9 Kg
Mounting	Ceiling recessed	Ceiling recessed	Ceiling recessed
IP rating	IP40	IP40	IP40
Insulation class	I	III	III
Control gear	Electronic ballast	Constant current electronic driver	Constant current electronic driver
Cut out for plasterboard	Ø 660 mm	Ø 660 mm	Ø 660 mm
Lamp type	TR5 	LED 700 mA 	LED 1050 mA
Lamp wattage	1 x 55W	1 x 20W	1 x 30W
Luminous efficacy	-	2750 lm	3950 lm
Light distribution	-	Wide beam 120°	Wide beam 120°
Fitting	2Gx13	-	-
Light colour	-	White 3000K White 4000K (on request)	White 3000K White 4000K (on request)
Light hole	Ø 400 mm	Ø 400 mm	Ø 400 mm
Voltage connection	220-240V · 50/60Hz	220-240V · 50/60Hz	220-240V · 50/60Hz
CRI	-	>90	>90
Emergency	-	-	-
Energy efficiency class	A	A+	A+
Note	Can be used as a trap door for inspecting the false ceiling. 	Can be used as a trap door for inspecting the false ceiling. 	Can be used as a trap door for inspecting the false ceiling.

* The absorption capacity per m² calculated by the American organization TCNA (Tile Council of North America) is measured for an average room of 2,7 m in height and therefore expressed in m²

