

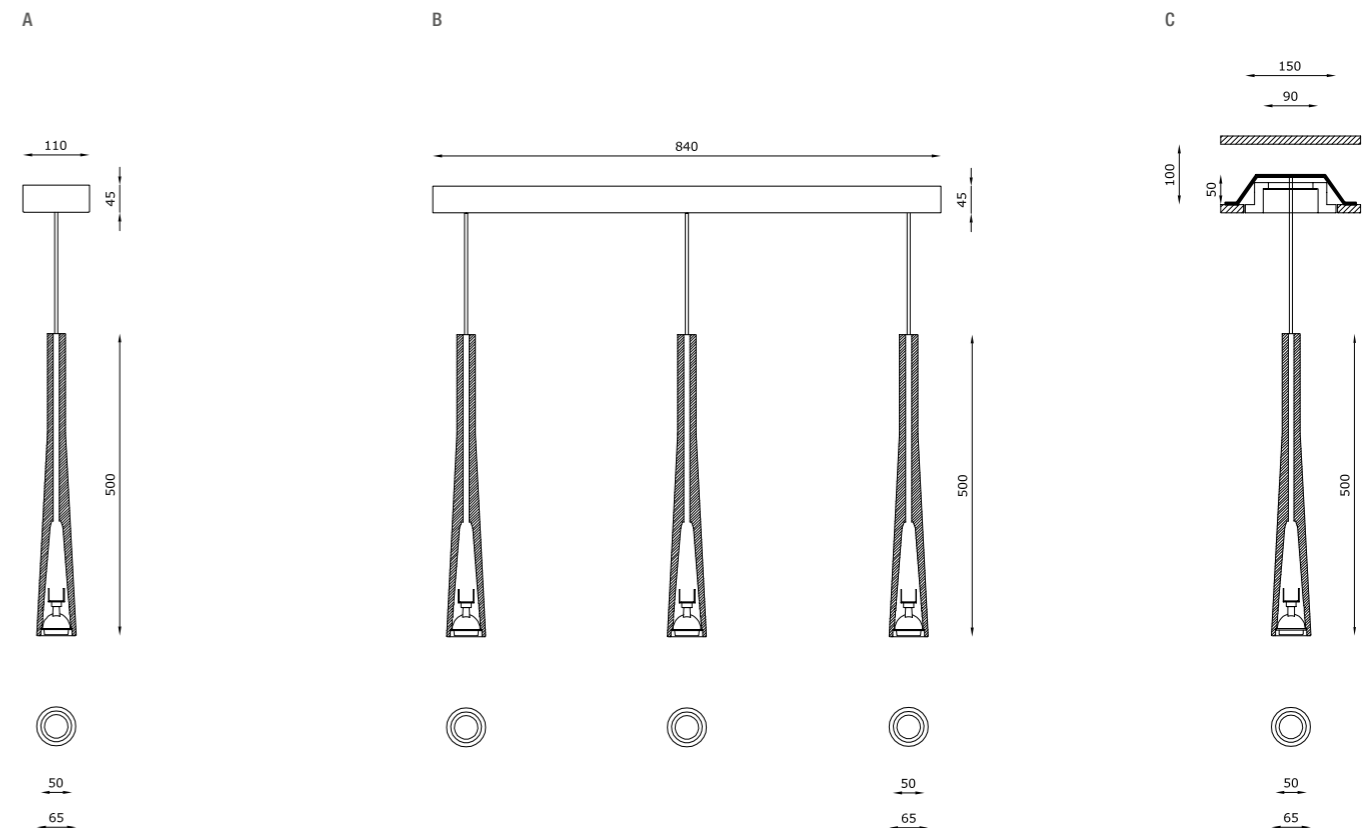
Design
Fabio Rotella

FUNNEL LAMP



Un nome evocativo, che rispecchia alla perfezione il design dell'apparecchio: Funnel è una lampada a sospensione da interni, un imbuto di luce diretta dal design elegante e pulito, perfetto per valorizzare gli ambienti con raffinata semplicità. Le forme semplici e il design contemporaneo sono una caratteristica unica. Realizzato in AirCoral®, personalizzabile con finiture colorate, garantisce una perfetta combinazione di tecnologia e design. Disponibile singola, con incasso a soffitto o con cassetta in acciaio bianca verniciata in soft-touch, oppure con unica cassetta a tre sospensioni; con cavo in silicone trasparente regolabile per una lunghezza max di 2 m.

An evocative name, that perfectly reflects the design of this product: Funnel is an indoor suspended luminaire, a funnel of direct light with an elegant and clean design, perfect to enhance spaces with refined simplicity. The simple and the contemporary design are a unique feature. Made of AirCoral®, customizable with coloured finishings, it guarantees a perfect combination of technology and design. Available in single version with a recessed housing or with a steel, white-painted soft touch case, or even with three suspended lamps installed in a unique steel, white-painted ceiling case; provided with a transparent cable of silicone adjustable to a maximum of 2 m.



Surface

TECHNICAL FEATURES

Code	1408.AC (fig. A)	1409.AC (fig. B)	1407.AC (fig. C)
Type	Suspension lamp	Suspension lamp	Suspension lamp
Material	AC: AirCoral®	AC: AirCoral®	AC: AirCoral®
Absorption capacity*	3.87 m²	11.61 m²	3.87 m²
Mounting	Ceiling mounting	Ceiling mounting	Ceiling mounting
IP rating	IP20	IP20	IP20
Insulation class	III	III	III
Control gear	Dimmable electronic transformer	Dimmable electronic transformer	Dimmable electronic transformer
Cut out for plasterboard	-	-	Ø 160 mm
Lamp type	LED 12V ☛☛	LED 12V ☛☛	LED 12V ☛☛
Lamp wattage	1 x 10W	3 x 10W	1 x 10W
Luminous efficacy	1 x 485 lm	3 x 485 lm	1 x 485 lm
Light distribution	Beam 24°	Beam 24°	Beam 24°
Fitting	GU5.3	GU5.3	GU5.3
Light colour	White 3000K	White 3000K	White 3000K
Voltage connection	220-240V · 50/60Hz	220-240V · 50/60Hz	220-240V · 50/60Hz
CRI	-	-	-
Emergency	-	-	-
Energy efficiency class	A	A	A
Note	White box ceiling for electronic transformer. Clear silicon cable (L max 2 m).	White box ceiling for electronic transformer. Clear silicon cable (L max 2 m).	Recessed box of total disappearance for electronic transformer. Clear silicon cable (L max 2 m).

* The absorption capacity per m² calculated by the American organization TCNA (Tile Council of North America) is measured for an average room of 2.7 m in height and therefore expressed in m²



Private villa - Lugano

Università Statale di Milano - Marcio Kogan installation "Parla!" - Fuorisalone 2019